

Data Sheet: CNS Trend

- › CNS 100 Trend
- › CNS 150 Trend
- › CNS 200 Trend



- › Wall mounted convection electric heater
- › Smart controller with backlit LCD and self-learning capability
- › Modern, slimline design
- › 7 day timer, 120-minute short-time timer, frost protection and open window detection



CNS Trend

SMART WALL MOUNTED PANEL HEATER

The new CNS Trend electric panel heater looks the part in any room thanks to its slimline, modern design. Featuring a smart control unit, the CNS Trend range of electric space heaters have smart eco features including a 7-day timer, open window detection and safe frost/overheat protection. Available in three sizes, all heaters in the range are compact at only 10cm deep but generate great levels of heating comfort.

Model	TREND		
	CNS 100 Trend	CNS 150 Trend	CNS 200 Trend
	200192	200193	200194
Output	kW 1.0	1.5	2.0
Current	A 4	6	8
Connection	1/N/PE ~ 230 V		
Temperature adjustment	°C 5 - 30		
IP Rating	IP24		
Height	mm 426	582	738
Width	mm 450	450	450
Depth	mm 100	100	100
Weight	kg 4.6	6.0	7.7
Colour	Alpine white		
Installation	Wall mounted		

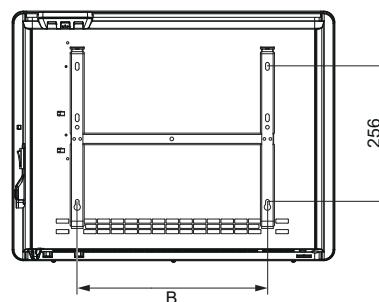
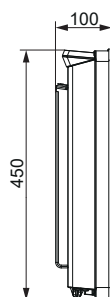
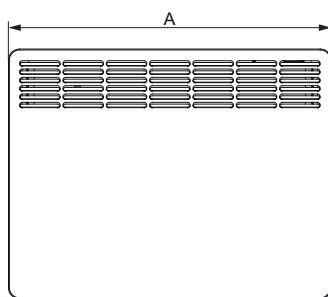


CNS Trend



Smart Control Unit

CNS Trend Dimensions



DIMENSION A
CNS 100 Trend = 426
CNS 150 Trend = 582
CNS 200 Trend = 738
DIMENSION B
CNS 100 Trend = 179
CNS 150 Trend = 335
CNS 200 Trend = 491

STIEBEL ELTRON is committed to our policy of continual improvement, some features may have subsequently been changed or even removed. Our advisors will be happy to consult with you regarding the currently applicable equipment features. The images used in this data sheet are for reference only.