

# MEZZO

DIRECT VENT GAS FIREPLACE

MEZZO 1300  
with logs and  
black Clean  
Face Trim

## HEAT & GLO™

No one builds a better fire



1000 Single Sided with Pebbles



1300 Single Sided with Crystal Glass

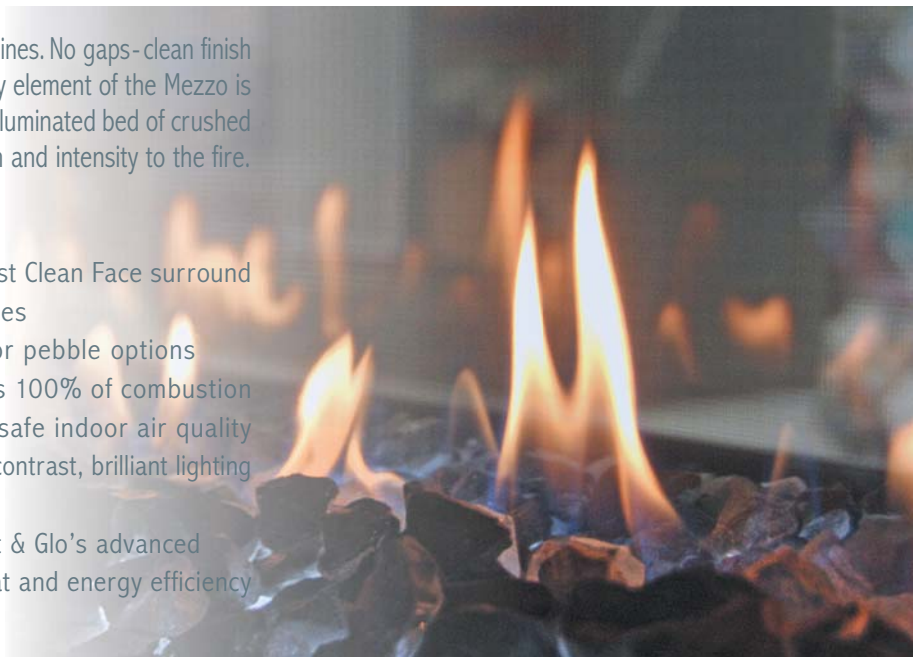


1600 Single Sided with Logs

The Mezzo by Heat & Glo boasts clean, modern lines. No gaps-clean finish and quality. Every corner, every edge and every element of the Mezzo is all about perfection. Flames spread across an illuminated bed of crushed glass... and the black glass interior adds depth and intensity to the fire.

### FEATURES:

- Distinctive modern design with minimalist Clean Face surround
- High gloss black glass internal surfaces
- Crushed glass media with either log or pebble options
- Direct Vent Technology which removes 100% of combustion exhaust and odour - maintains clean, safe indoor air quality
- Clear LED Lighting technology for a high contrast, brilliant lighting effect to accentuate the flames
- INTELLIFIRE PLUS Ignition System, Heat & Glo's advanced intermittent pilot system for optimal heat and energy efficiency

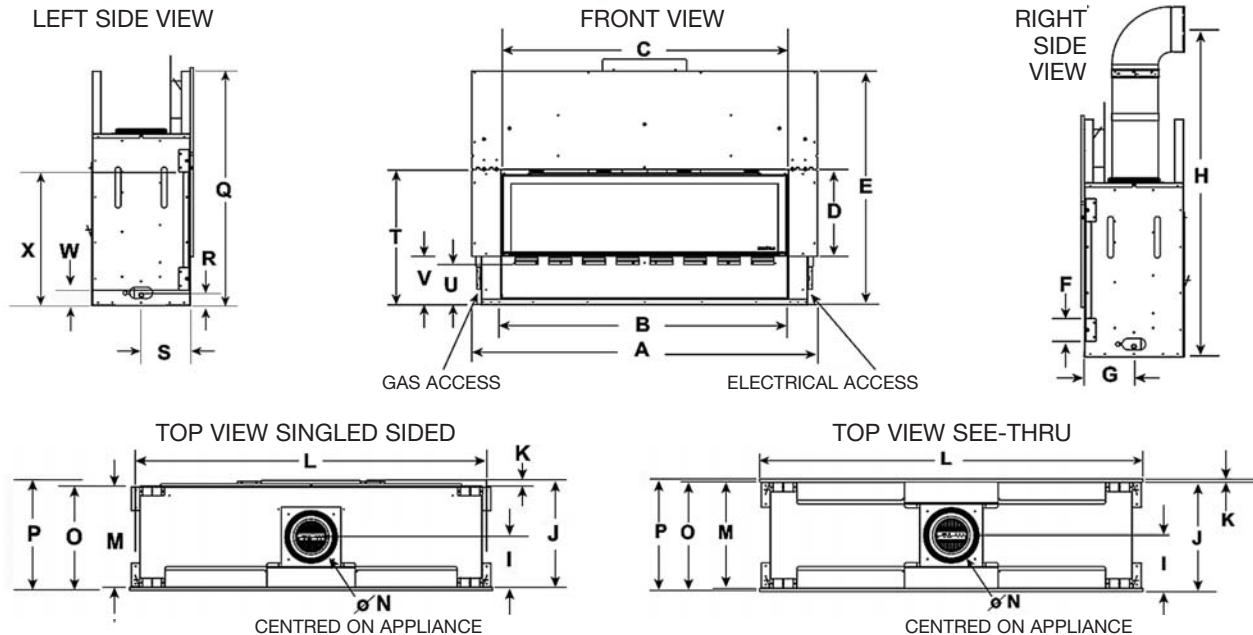


AUSTRALIAN MODELS: • 1000 Single Sided • 1300 Single Sided • 1300 See-Thru • 1600 Single Sided

## MEZZO SPECIFICATIONS

MODEL	FRONT WIDTH	BACK WIDTH	HEIGHT	DEPTH	GLASS SIZE	mjh INPUT	STAR RATING*
Mezzo 1000	1270	1224	1080	473	902 x 318	32.5	4.4
Mezzo 1300	1575	1524	1080	473	1207 x 318	43.6	4.2
Mezzo 1300ST	1575	1575	1080	460	1207 x 318	43.6	4.2
Mezzo 1600	1880	1880	1080	473	1603 x 318	52.2	4.3

\*Results based on testing with LP gas units



MODEL	A	B	C	D	E	F	G	H	I	J	K	L	M	N	O	P	Q	R	S	T	U	V	W	X
Mezzo 1000	1270	997	997	397	1080	102	217	1575	217	460	25	1224	435	203	448	471	1060	60	217	622	184	225	70	603
Mezzo 1300	1575	1299	1299	397	1080	102	217	1575	217	460	25	1524	435	203	448	471	1060	60	217	622	184	225	70	603
Mezzo 1300ST	1575	1299	1299	397	1080	102	217	1575	217	435	13	1524	435	203	446	460	1060	60	217	622	184	225	70	603
Mezzo 1600	1880	1603	1603	397	1080	102	217	1575	217	460	25	1829	435	203	448	471	1060	60	217	622	184	225	70	603

Dimensions above are in millimetres and for reference only. We recommend measuring individual units at installation. Refer to installation manual for detailed specification on installing this product. Heat & Glo reserves the right to update units periodically. The flame appearance may vary based on the type of fuel burned and the venting configuration used. Photos in this brochure may vary in colour and dimension (size) from the actual product.

### Balanced Flue Gas Fireplace

The Heat & Glo balanced flue gas fireplace is a completely sealed system, drawing 100% of combustion air from outdoors and exhausting all combustion byproducts back outside, whilst maintaining optimum indoor air quality. Cold air drafts are eliminated and heat output is maximised. With the option of venting either from the top or rear, even greater placement flexibility is possible, and the variable valve allows you to adjust the flame height and heat output.

### IntelliFire Plus™ Ignition System

The IntelliFire Plus™ Ignition System is an "intelligent" control system providing energy conservation and the comfort of a roaring fire, all at your fingertips! IntelliFire Plus™ eliminates the need for a continuously burning pilot light, reducing gas consumption and lowering operating costs.



### IntelliFire Plus™ RC300

Our new IntelliFire Plus™ remote control provides stylish and fully featured benefits that make controlling your heat easier than ever. Incorporates an LCD screen, intuitive menus and large control buttons in a sleek and modern design. This wireless control gives you the flexibility to use as a remote only or a mount on the wall anywhere in the room.



MEZZO-AU App No: GMKI0222



### AVAILABLE with the iGloo App for total control!

Now you can control your Heat & Glo balanced flue gas fireplace from your smart device with the innovative iGloo App. Download now.

CUTTING EDGE TECHNOLOGY, CONTROL & PERFORMANCE!



← SCAN THIS QR CODE TO LEARN MORE ABOUT iGLOO



Please contact us at:  
**JETMASTER HEAT & GLO**

444 Swan Street (near Burnley St), Richmond

Ph: 1300 195 482

EMAIL: [info@jetmastervic.com.au](mailto:info@jetmastervic.com.au)

WEB: [www.jetmastervic.com.au](http://www.jetmastervic.com.au)

MAY 2017

**HEAT & GLO**

No one builds a better fire



Brilliant Heat. Beautiful to Watch.