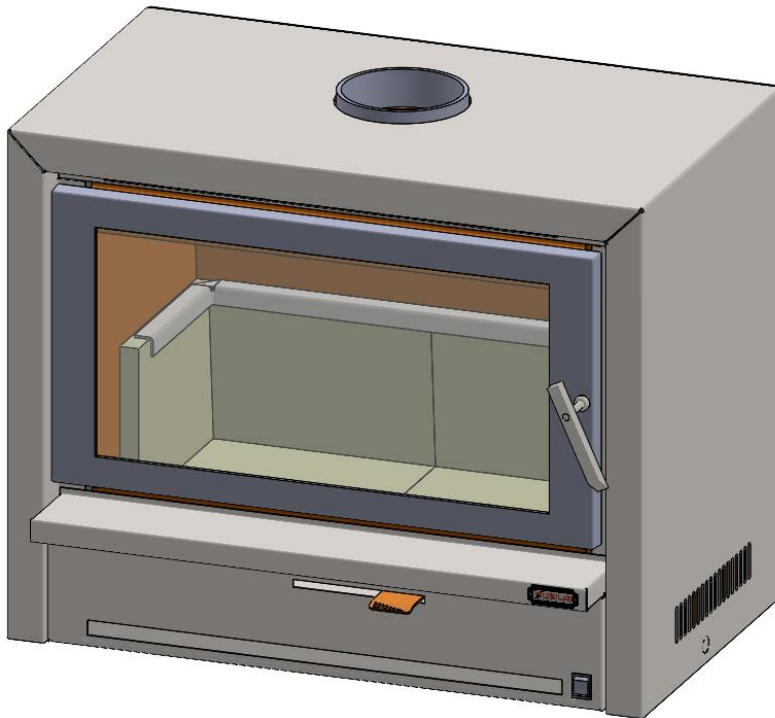




Specialists in fireplace design and manufacture

HALO 800
INSTALLATION & OPERATING INSTRUCTIONS



IMPORTANT:

INSTALLER, PLEASE LEAVE THESE INSTRUCTIONS WITH THE UNIT ON COMPLETION.

10 YEAR FIREBOX WARRANTY

**The firebox is covered by a 10 year warranty.
Other parts are covered by a one year limited warranty.**

Head Office - 13 French Avenue, Brendale, Queensland 4500

Telephone - PH: (07) 3490 5500

Facsimile - FAX: (07) 3490 5520

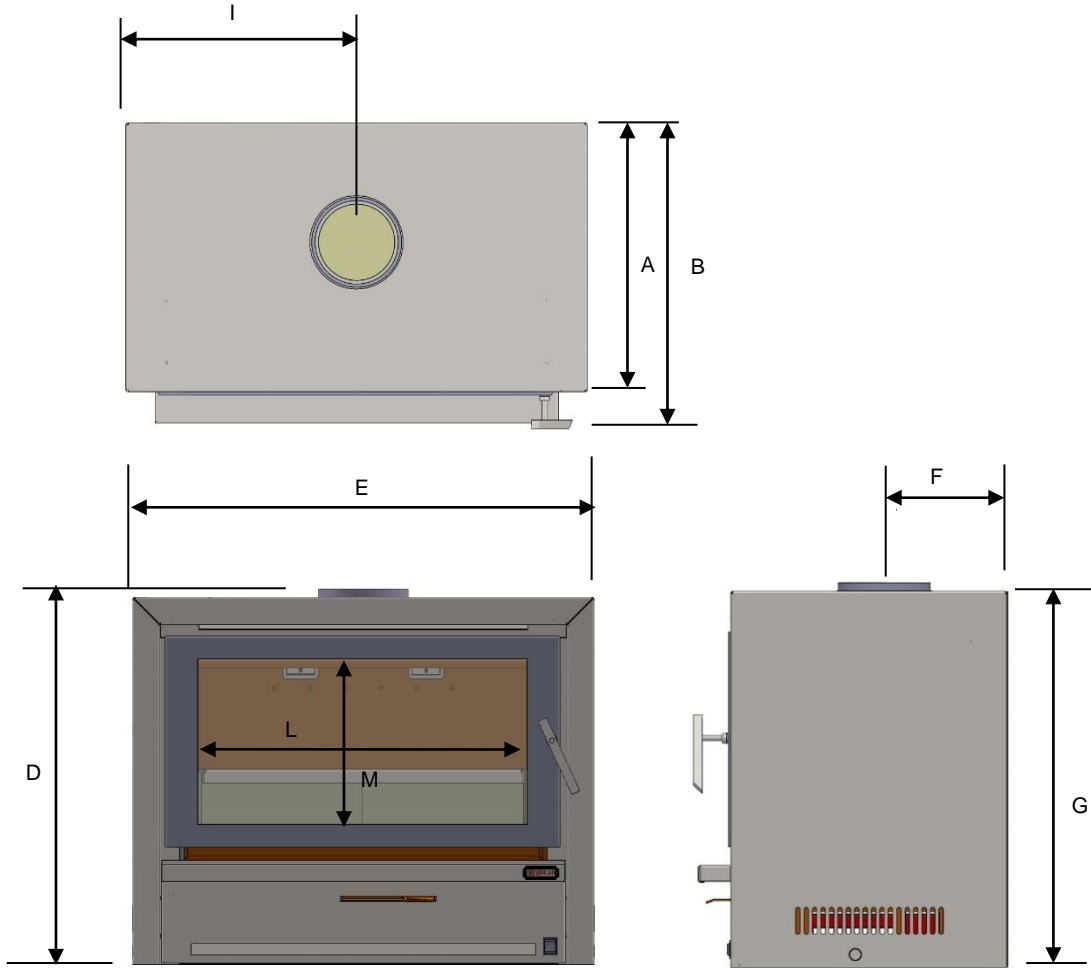
Website: - www.jetmaster.com.au

Business hours: - Monday to Thursday 7:30am-4:00pm. Friday 7:30am-2:00pm

Email: - sales@jetmaster.com.au

DIMENSIONS

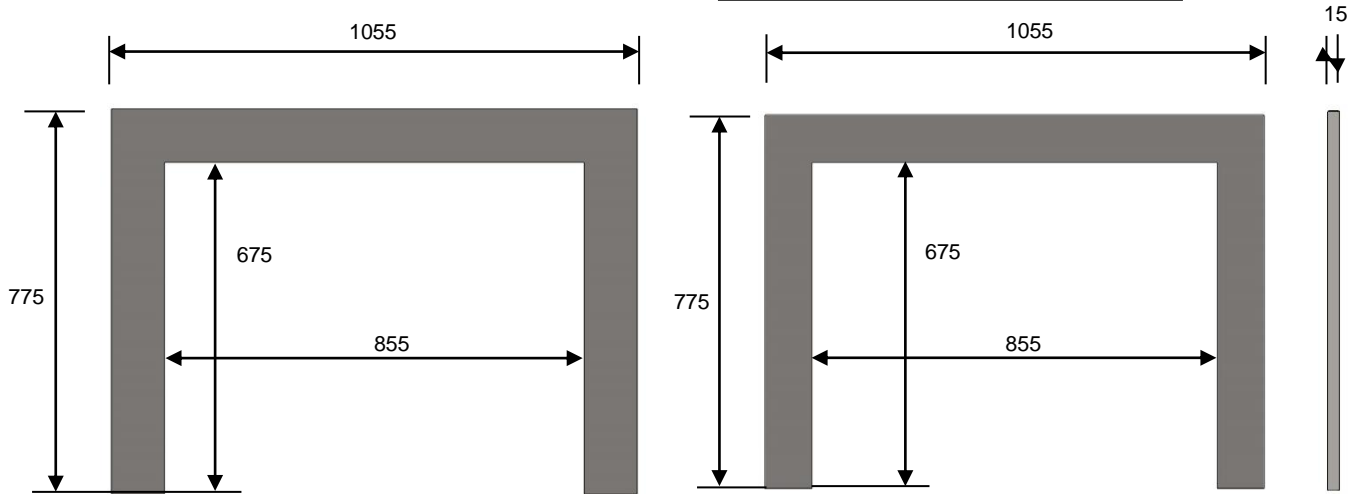
HALO 800 WITH FAN



DESC.	MODEL	A	B	D	E	F	G	I	L	M
HALO 800	WALL INSERT	493	551	685	845	220	670	422	603	302

FLAT TRIM 3 SIDED 100mm

BACKING TRIM 3 SIDED 100mm

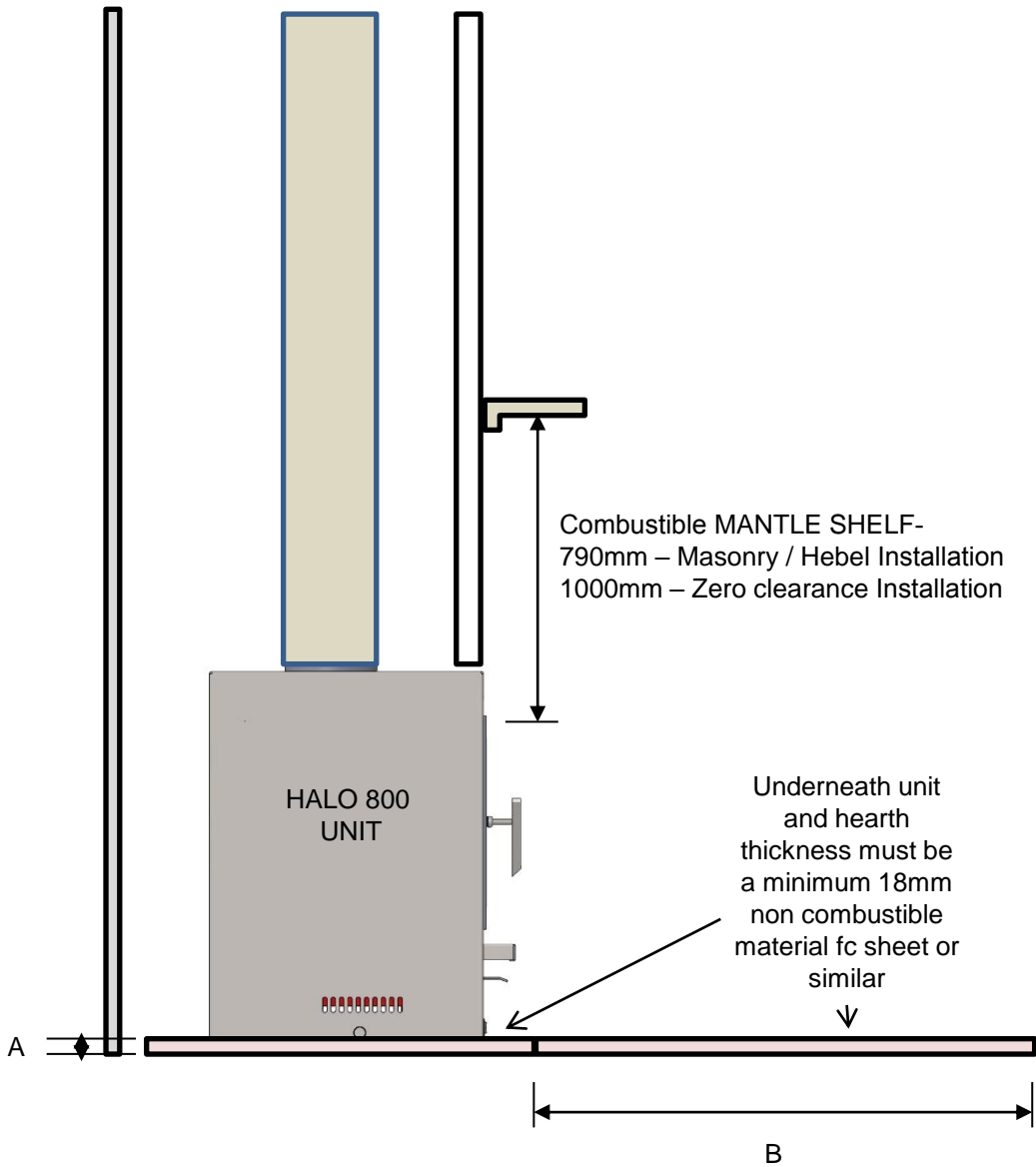


30/11/2022

ver. 1

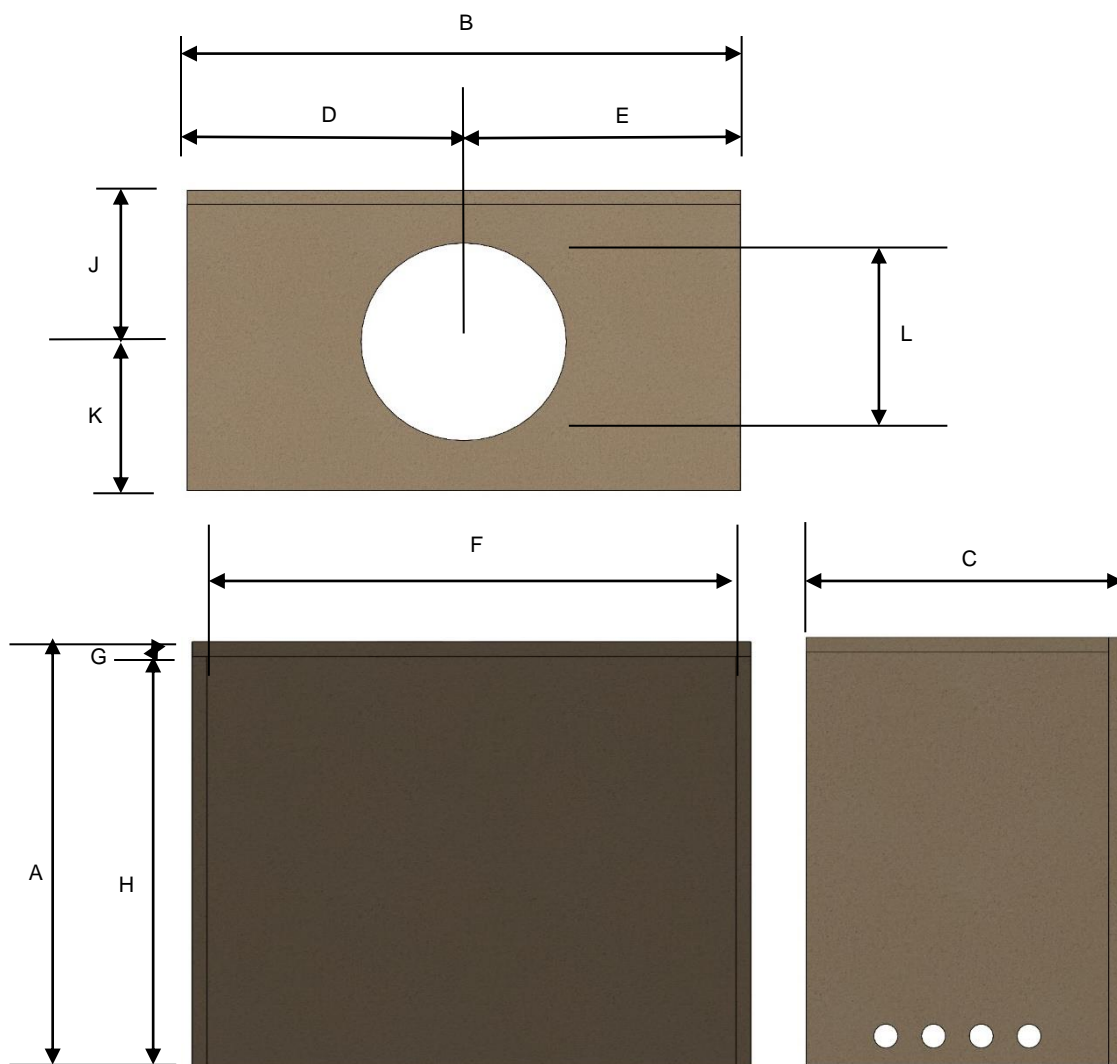
2

HEARTH MEASUREMENT AND COMBUSTIBLE MANTLE CLEARANCE



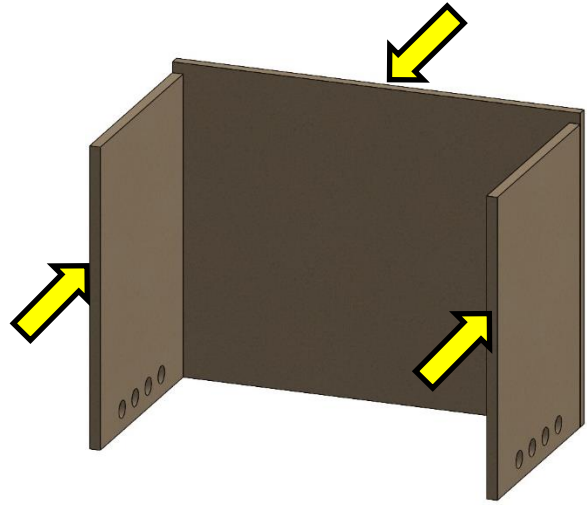
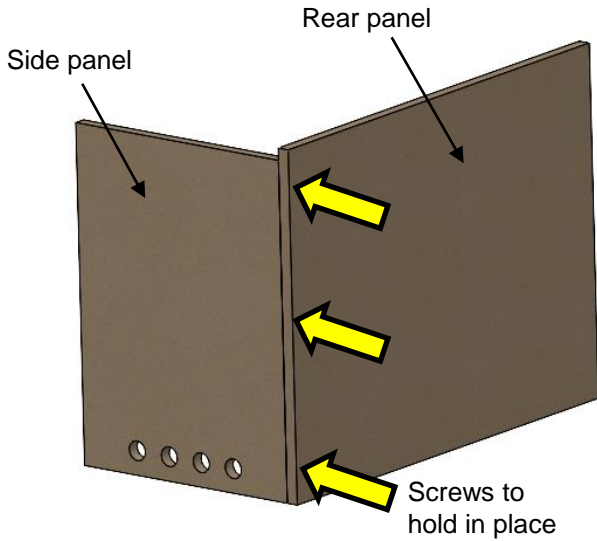
A.	UNIT HEIGHT ABOVE FLOOR (mm)	18	50	100	200	300	400
B.	HEARTH DIMENSION FORWARD OF UNIT (mm)	500	500	490	460	400	300

DIMENSIONS FOR PYROTECH BOARD ZERO CLEARANCE BOX AND CLEARANCES



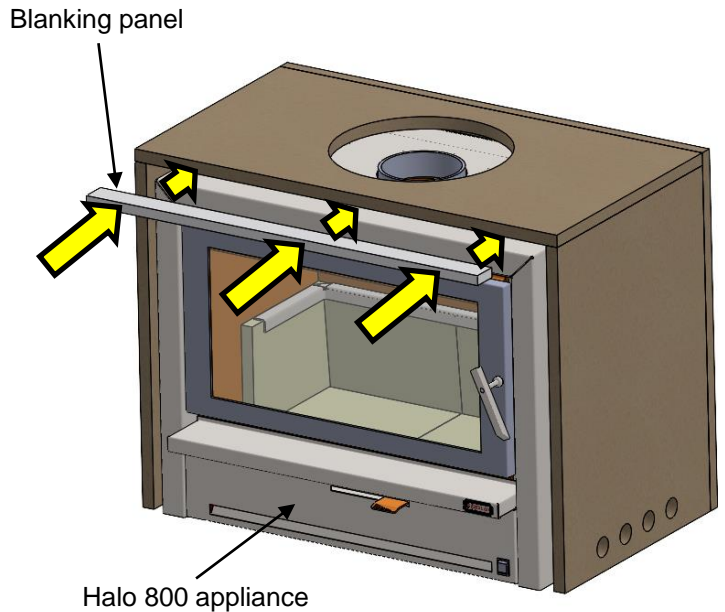
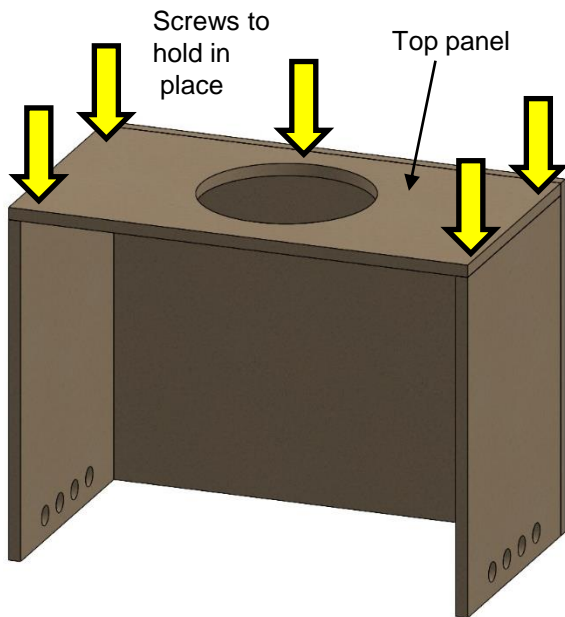
	A	B	C	D	E	F	G	H	J	K	L
HALO 800	720	944	532	472	472	894	25	695	268.5	263.5	350

HALO 800 ZERO CLEARANCE BOX **ASSEMBLY INSTRUCTION**



1. Align the edge of the rear panel to the face of the side panel. Use the supplied screws and fix panels into place.

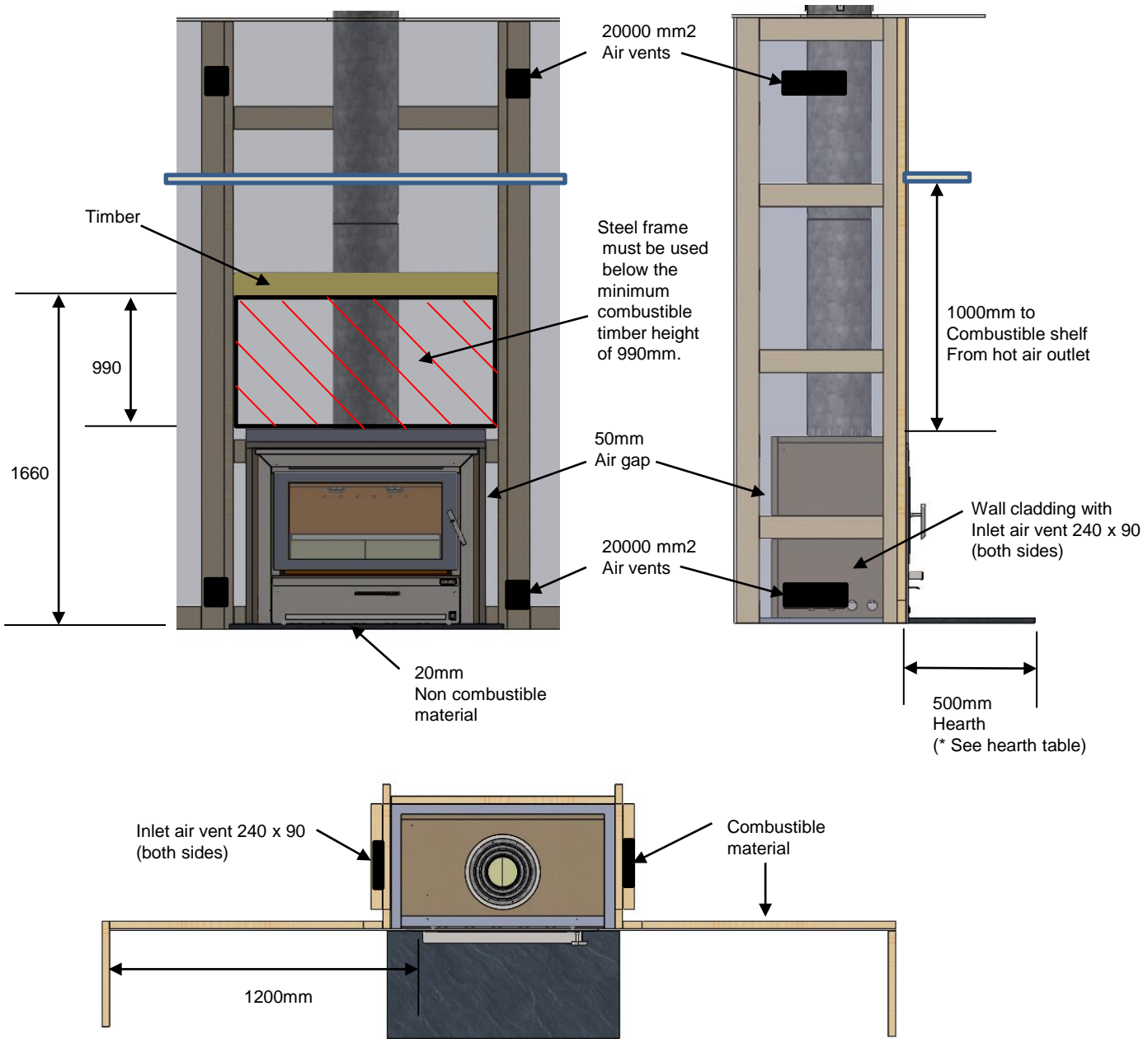
2. Repeat the process for the other side panel.



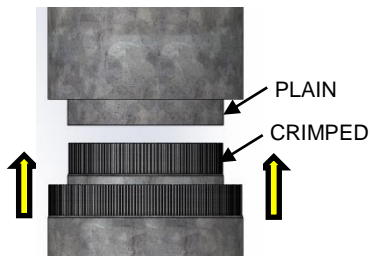
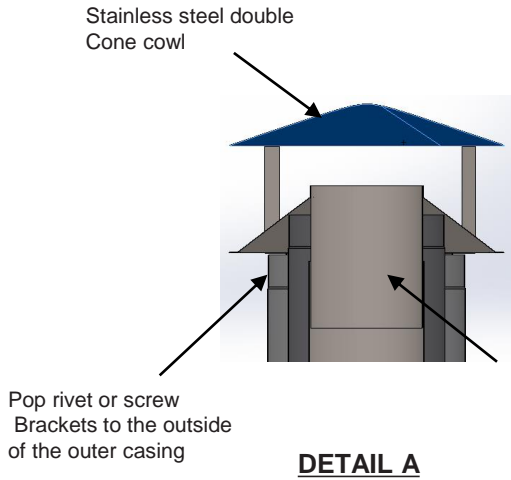
3. Attach the top panel as shown. Use the supplied screws. Make sure all edges are flushed and aligned.

4. Position the zero clearance assembly over the appliance. Make sure the appliance is centrally located. Slide the blanking panel in the gap between the underside of the top panel and top of the appliance until it is flush to the front of the box. This panel does not need to be fixed by screws. This will complete the assembly process.

HALO 800 ZERO CLEARANCE BOX ENCLOSURE

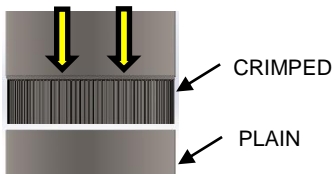


HALO 800 INSTRUCTION FOR TIMBER CAVITY / ZERO CLEARANCE



All 8"-10" assembled flues must have the Crimps Pointing upwards

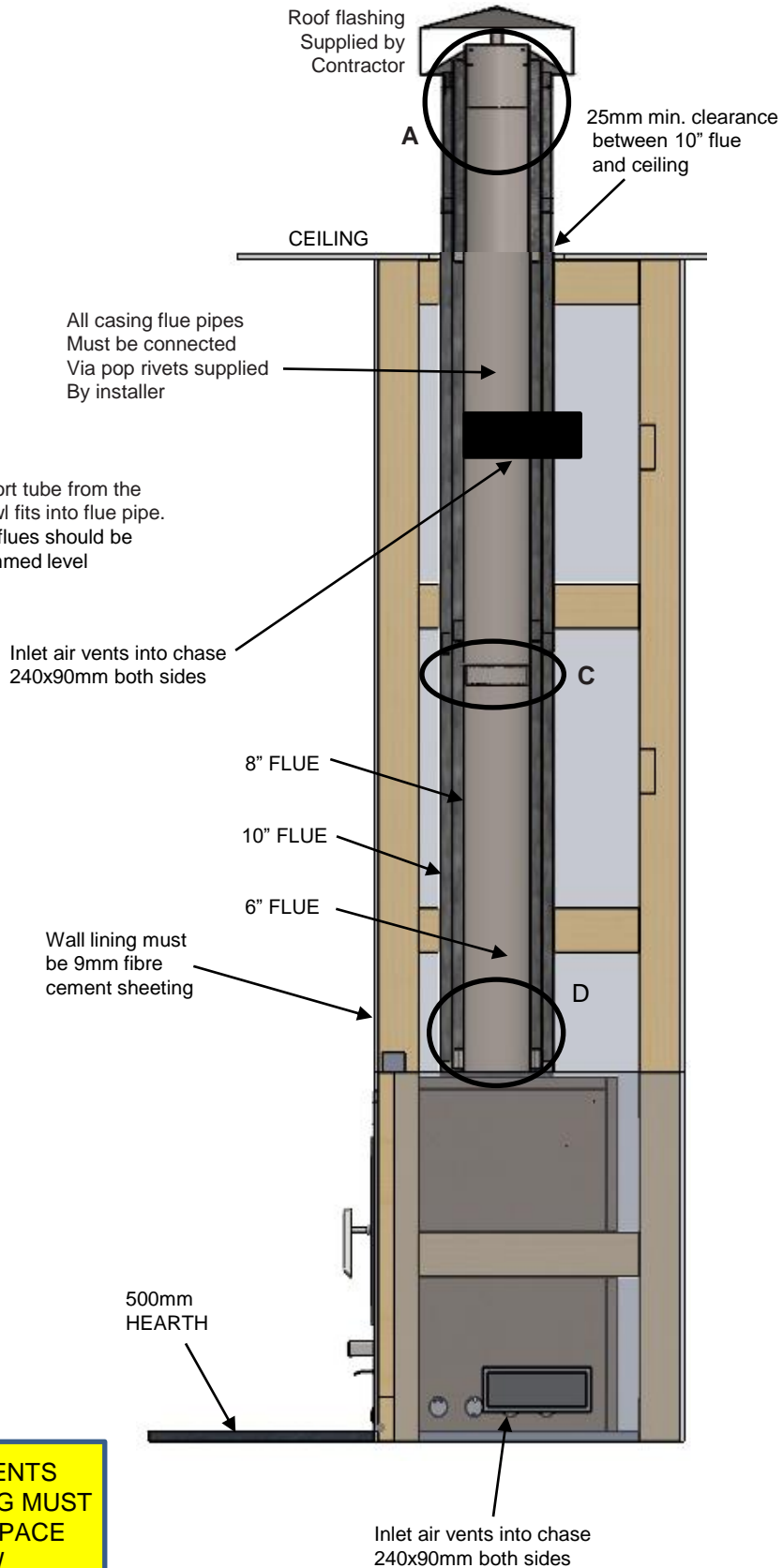
DETAIL C



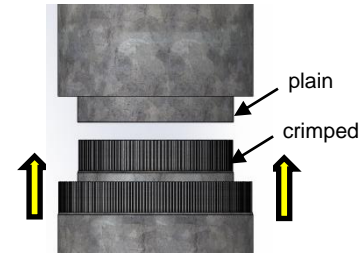
All 6" assembled flues must have the crimps pointing downwards

DETAIL D

NOTE: IF 2 X 240x90mm VENTS CANNOT BE USED, CEILING MUST REMAIN OPEN TO ROOF SPACE MIN.333,800mm² AIR FLOW

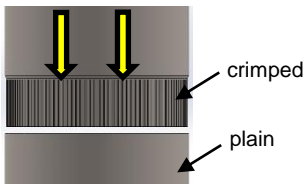


HALO 800 MASONRY / HEBEL CONSTRUCTION



All 8"-10" assembled flues must have the crimps pointing upwards

DETAIL A



All 6" assembled flues must have the crimps pointing downwards

DETAIL B

Flue system to be installed to suit AS/NZS 2918.2001

Triple skin flue system (10", 8" and 6")

25mm min. clearance between 10" flue and framing

Combustible ceiling

9mm Fibre Fibre cement sheet

Outlet air vents from chase 20000mm² min. level with Underside of register plate

Register plate with vented upstands Minimum 600mm below ceiling.

1 row of Hebel or brick to be used above register plate before timber frame work is used (Minimum 75mm thickness)

Hebel Block – min. thickness – 75mm

1680mm of HEBEL.

Inlet air vents into chase

Rear of unit to Hebel Block – 30mm min.

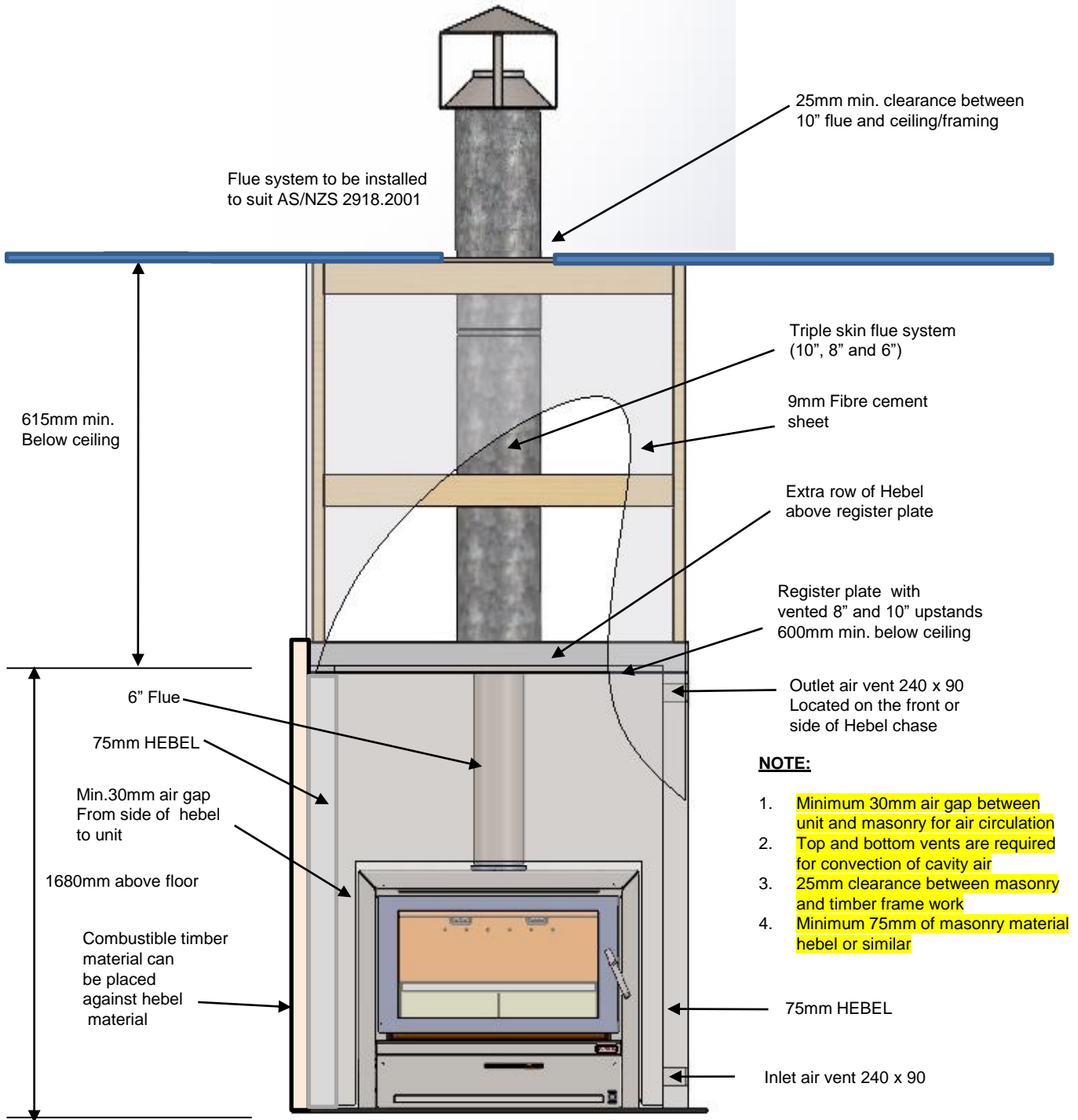
18

500

525

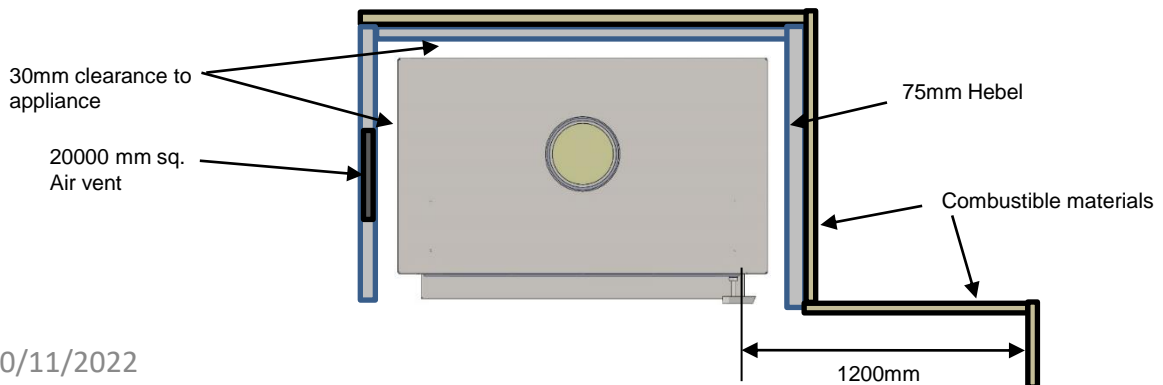
18mm non combustible materials

HALO 800 MASONRY / HEBEL CONSTRUCTION

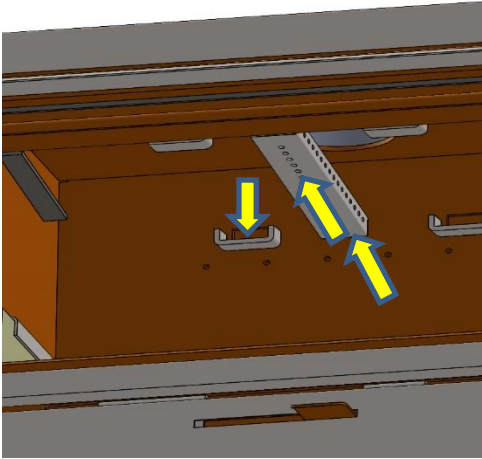


NOTE:

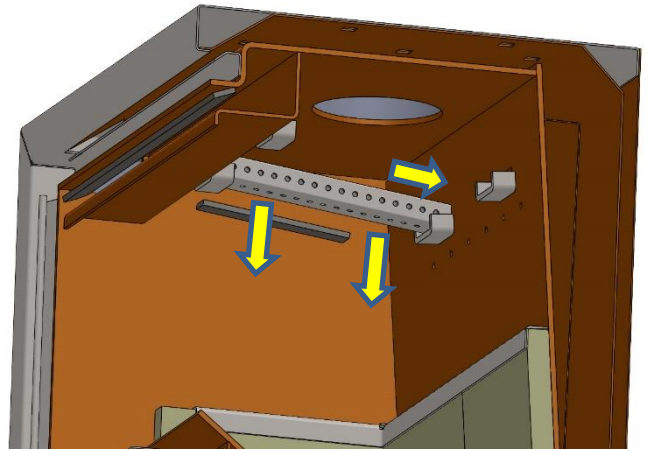
1. Minimum 30mm air gap between unit and masonry for air circulation
2. Top and bottom vents are required for convection of cavity air
3. 25mm clearance between masonry and timber frame work
4. Minimum 75mm of masonry material hebel or similar



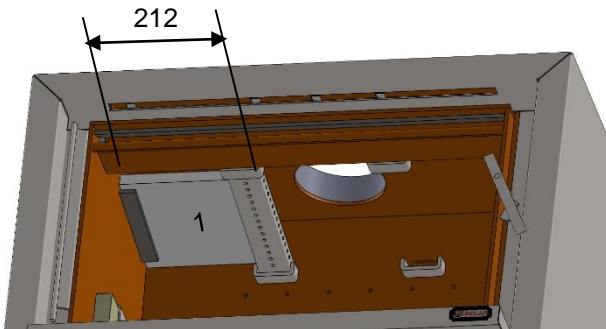
HALO 800 BAFFLE PLATE / AIR TUBE INSTALLATION INSTRUCTION



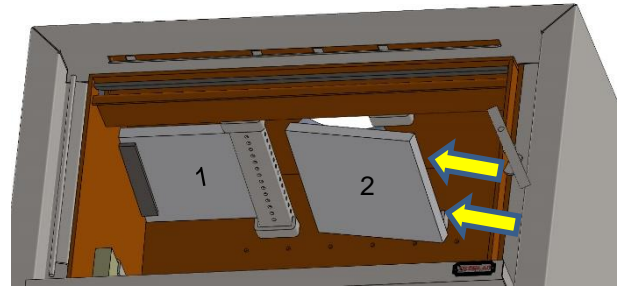
1. Install the first air tube by pushing it up, over and into the air tube holders. Make sure the air tube end with no cap is installed towards the back.



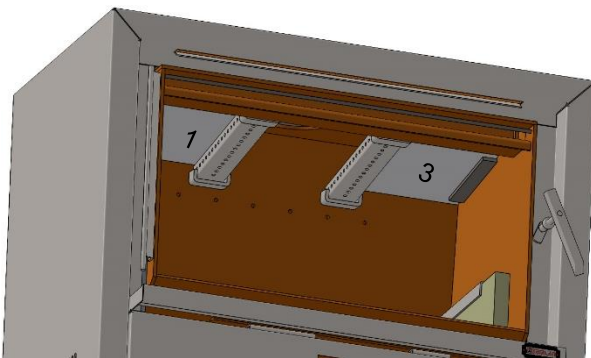
2. All air tube holes must point to sides and bottom of the appliance. Push the air tube as far back as possible.



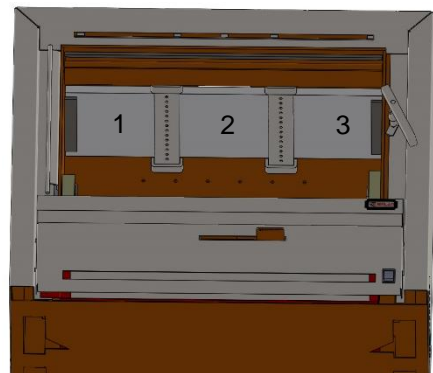
3. Place baffle plate (1) on top of the air tube, 212mm left to right, 200mm front to back, push baffle plates as far back as possible



4. Position baffle plate (2) on top of baffle plate (1).



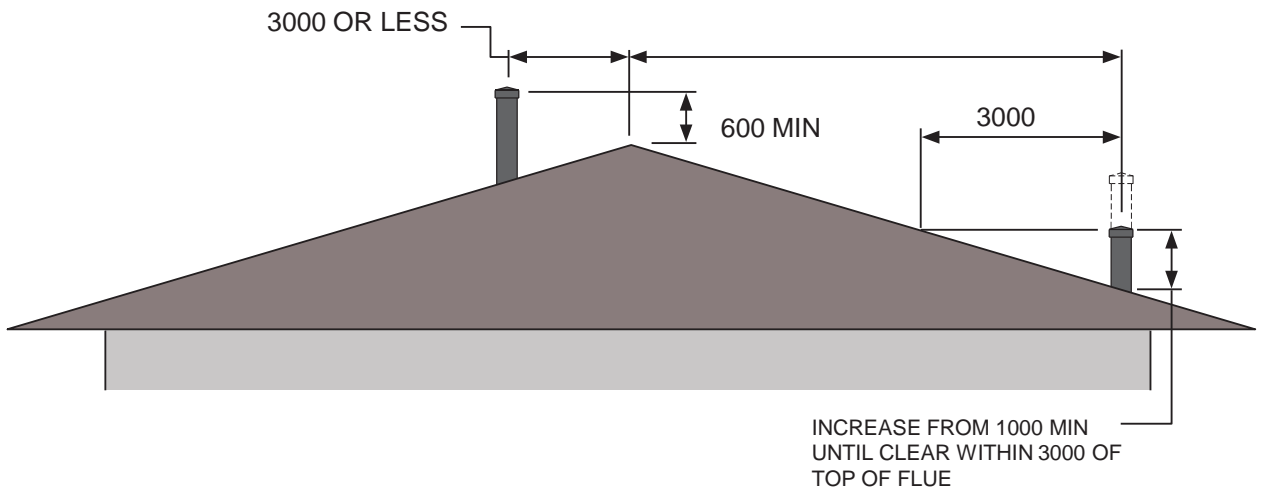
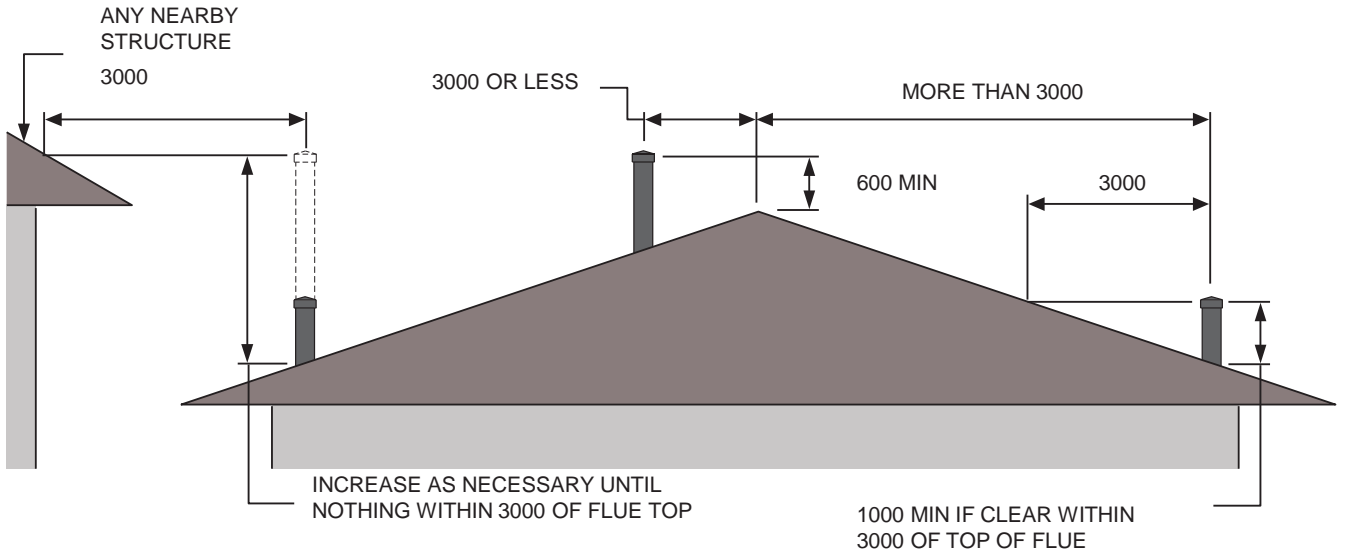
5. Install air tube and baffle plate (3) as per figure (3), this time install the baffle plates opposite side to the first one.



6. The final step is to install the baffle plate (2) that has been placed on top of baffle plate (1). Lower baffle plate (2) into the gap and push towards the back. The assembly is now complete.

INSTALLATION INSTRUCTIONS

MINIMUM HEIGHT OF FLUE SYSTEM EXIT INSTALLATION TO COMPLY WITH AS/NZS 2918



KEMLAN INDUSTRIES

Operating Instructions

Congratulations on the purchase of your Australian made Kemlan slow combustion wood fireplace.

We hope this serves you well, not just as a stunning feature; but as a functional tool for heating your home and keeping you and your family warm however cold the winters may get, because this is what Kemlan specialises in and has perfected, making fires in Brisbane QLD since 1969, 'Australian made for Australian conditions'.

Welcome to the Kemlan family.

I would like to share with you the correct way to operate your Kemlan wood fire giving best results for both heating and useability.

Let's get started:

The First Burns -

Unfortunately, we have no control over how the fire is loaded nor do we have any control over what quality of fuel / timber is used, therefore we can only give recommendations, and this will be the difference in heat output and length of burn.

Hard wood should always be used as the main fuel source in all Kemlan wood heaters at a moisture level of between 12% - 20% (always have a moisture meter).

If the timber is too dry it will burn faster, if the timber is too wet it will struggle to burn at all and give very little heat.

The first few burns in a wood fire are commonly referred to as 'curing burns', this is when you are getting heat into the appliances steel and paint for the first time.

What we are trying to achieve here is 3-fold:

The **first** goal is to get heat into the white ceramic baffles and the steel flue system, getting these 2 things hot will create the 'draw' of the fireplace this is the process in which the smoke is drawn out of the fireplace chamber through the flue system.

The **second** goal is to lay a bed of ash in the base of the fire, ash in the bottom of the fire is essential to the performance of the fireplace, the optimal thickness of ash is 2-3 Inches (25mm - 75mm).

Having this bed of ash will assist the fuel to light easier creating an air layer under the timber, it will also assist in a longer hotter burn as the ash holds a large amount of the heat while the timber above is burning. So DO NOT clean your ash out until you have to, you should never see the firebricks in the base of your fire.

The **third** goal of the initial burns is to cure the paint on the fireplace casing, Kemlan fires are painted with a high temperature paint. When first applied at our factory, the paint is very soft, we place all finished fireplaces under heat lamps to start the 'curing' process but because of the time it takes and

the temperature the casing needs to stay at to complete this process we need YOU to finish this cure in your home by lighting your new fire! So, let's do it!.....

Building your fire -

Whether you have purchased a small, medium or large chamber fireplace the set-up is the same.

Kemlan introduce more primary air into the chamber of the fireplace than most other brands on the market, this makes it very easy to light the fire from a cold start, it also makes it easy for you the user of the fireplace to load the paper or firelighters, kindling (small pieces of soft wood) and hard wood into the chamber straight away.

Your goal should be to fill the fireplace chamber front to back, sided to side to make sure heat is evenly distributed throughout the entire firebox.

We don't want to have to keep tending to the fireplace slowly adding pieces of timber and constantly opening the door, one full load of timber is far better.

Scan the QR code below to access the 'How to stack and light your Kemlan wood fire' video.

Please take some time to watch to see if your process is the same.



Now your Kemlan fire is up and running make sure to keep the primary air slide fully open, this will ensure maximum oxygen is getting to the fuel and this will create quicker heat into the fireplace box, baffle, flue and of course your home.

The air slide can move from extreme left (fully open) to extreme right (fully closed).

Think of this slide like an accelerator and brake on a car. Fully open would be putting your foot down on your car's accelerator, fully closed is like putting the breaks on in the car.

When we want energy into the room (KW) we want the slide open, as the room gets to the desired temperature the air slide can be moved towards the right-hand side reducing the air to the chamber slowing the energy output and fuel consumption.

The air slide should only be moved half to $\frac{3}{4}$ of the way across while you can still tend to the fire, closing it completely or starving the fire should only be done when you cannot tend to the fire for long periods of time (e.g. going to bed) when your only goal is for length of burn.

Remember no matter whether it is a curing burn or an everyday use, heat is key, never light a small fire! A small fire in a large, chambered firebox will not produce any heat in the components of the fireplace or in your room. Choose the fire that best suits your living and heating requirements.

Reloading your Kemlan fire -

When it is time to add timber to your fireplace firstly make sure the underside of your white baffles is actually white, if they are still black this will mean the hardwood has not fully caught alight. If this is the case wait, you will notice as the fire heats up and your seasoned hardwood is fully lit the baffle plates will return to their original white condition, this means the fire drawing correctly through the flue system and burning cleanly with the secondary air in full swing.

You can now open the air slide fully, crack the door slightly allowing the air pressure to equal then carefully fully open the door.

Have the timber you are going to load in the chamber ready to immediately reload, be prepared, don't open the door and then go looking for the optimal pieces of timber, the longer you wait the colder the chamber will get and the higher the chance of smoke coming back into the room.

Overnight burns -

All medium and large size Kemlan fireplaces have what is called an 'overnight burn' but what does this mean??

Like we have touched on above, the air slide should only be shut down fully when you want extended length of burn, as soon as you starve the firebox of air the fire will burn dirtier and heat output will be greatly reduced, in some instances the glass will blacken due to the lack of air movement inside the chamber. The black creosote will burn off the glass when the fire's air control is back up to high with a new load of timber.

Generally, a Kemlan medium to large chamber will burn between 8 - 12 hours depending on the quality of fuel/timber and how full you stack the chamber. For maximum burn time you would fill the chamber up to 50mm below the secondary air tubes underneath the white baffle plate. The larger the pieces of timber the better!

After the 8-12 hours you should still have glowing embers in the base of the fire, a small amount of kindling and medium size pieces of hardwood can then be re-loaded making sure the air control has been moved back to 'full left' introducing maximum primary air again.

If you follow these simple steps, you will find your Kemlan fireplace is one of the best investments you have made to your home.

From everyone in Kemlan we thank you for your business and wish you a lifetime of warmth and enjoyment.

IMPORTANT:

UNDER NO CIRCUMSTANCES SHOULD ANY SOLVENTS SUCH AS METHYLATED SPIRITS, PETROL, MINERAL TURPENTINE ETC OR DETERGENTS, BE ALLOWED TO COME IN CONTACT WITH THE PAINTED SURFACE OF THE HEATER AS DAMAGE TO THE FINISH WILL RESULT. IF AN ACCIDENT DOES OCCUR, SPRAY CAN PAINT IS AVAILABLE FROM YOUR NEAREST KEMLAN DEALER.



Certificate of Compliance for **SOLID FUEL HEATERS**

This is to certify that the appliance stated on this certificate has been tested for Heat Output, Thermal Efficiency and Particulate Emissions in accordance with the Australian / New Zealand Standard(s) detailed below

<i>Manufacturer</i>	Kemlan Industries Pty Ltd
<i>Make</i>	Kemlan
<i>Model</i>	Halo 800
<i>Type</i>	Insert/Inbuilt/Free-Standing
<i>Category</i>	Slow Combustion Wood Heater
<i>Fuel Type</i>	Hardwood
<i>Test Report No's:</i>	ASFT22041-1 ASFT22043-1 ASFT22047-1
<i>Maximum Avg Heat Output</i>	10.7kW
<i>Overall Avg Efficiency</i>	67%
<i>Particulate Emissions Factor</i>	1.1g/kg
<i>National Standards</i>	AS/NZS 4012 (2014) AS/NZS 4013 (2014) AS/NZS 2918 (2018)

ASFT hereby grants to:

Kemlan Industries Pty Ltd

of
13 French Avenue, Brendale, Queensland, Australia 4500

Certificate No.: **ASFT22C059**

Certified Date: **21 October 2022**

Issue Date: **21 October 2022**

Expiry Date: **08 August 2024**

Steve Marland

Managing Director of ASFT

ASFT performs compliance testing of Solid Fuel Appliances to the relevant Australian/New Zealand standards. This certification is subject to the conditions set forth in the characteristics above and is not to be construed as any recommendation, assurance or guarantee by ASFT of the product acceptance by Authorities having jurisdiction.

WARRANTY

1. Kemlan wood heaters carry a warranty on the 6mm firebox for a period of ten (10) years.
2. This warranty also covers other components of the heater for a period of one (1) year. These components include the baffle plate, handle assembly, secondary air tubes and fan.
3. Kemlan's warranty covers the wood heaters against defects in materials and manufacture.

4. THIS WARRANTY DOES NOT COVER –

- 4.1 Failure to comply with manufacturer's operation instructions.
- 4.2 Normal wear and tear or damage caused by incorrect installation.
- 4.3 Any form of rust and/or corrosion to the painted finish of the heater.
- 4.4 Damage to the glass in the door, if the damage is caused by impact or misuse.
- 4.5 The cost of collection and delivery of the wood heater and/or parts.
- 4.6 Damage caused by water ingress.
- 4.7 Cost of removal of defective heater or re-installation of replacement heater.
- 4.8 Failure to use fireplace components supplied by Kemlan Industries Pty Ltd.
- 4.9 Cost of inspection for damaged heater.

5. CLAIMS –

- 5.1 (I) Kemlan will provide a full replacement of the heater in the first five years after installation.
 - (ii) Replacement in the subsequent five years (i.e. sixth to tenth year after installation will be on the following basis.
Owner will pay fifty percent of the current retail price, if the claim is made in the sixth year – tenth year after purchase.
- 5.2 Replacement of heater subject to all conditions in section four of warranty.
- 5.3 Should any defects occur, contact the Kemlan distributor from whom you purchased the heater.
- 5.4 Under this warranty the defective parts will be repaired or replaced, free of charge.
6. The fireplace installation must comply with the relevant local statutes, ordinances, regulations and by-laws.

7. THIS WARRANTY IS VOID IF:

- 7.1 The appliance has been over-fired or operated in atmospheres contaminated by chlorine, fluorine or other damaging chemicals. Over-firing can be identified by, but not limited to, warped plates or tubes, rust coloured cast iron, bubbling, cracking and discolouration of steel or enamel finishes.

PLEASE COMPLETE AND RETAIN THIS SECTION FOR YOUR RECORDS

Purchased from:
Address:
Date of Purchase:

NOTES
