

Jetmaster
Fireplaces Australia



Modern elegance.



Brilliant Heat. Beautiful to Watch.

POLARIS

Polaris 620E shown with Black Fascia Trim, Belmore MDF Mantel and Granite Hearth.



Polaris 620E shown with Black Fascia Trim, Windsor MDF Mantel & Limestone Hearth.



Polaris 620E

The Polaris electric range offers a stunning ultra-realistic flame, which has been achieved by carefully modelling the fuel bed from actual logs sourced from woodlands.

The 620E model is suitable for existing fireplaces or new built applications and is ideal for apartments or homes where a flue cannot be installed.

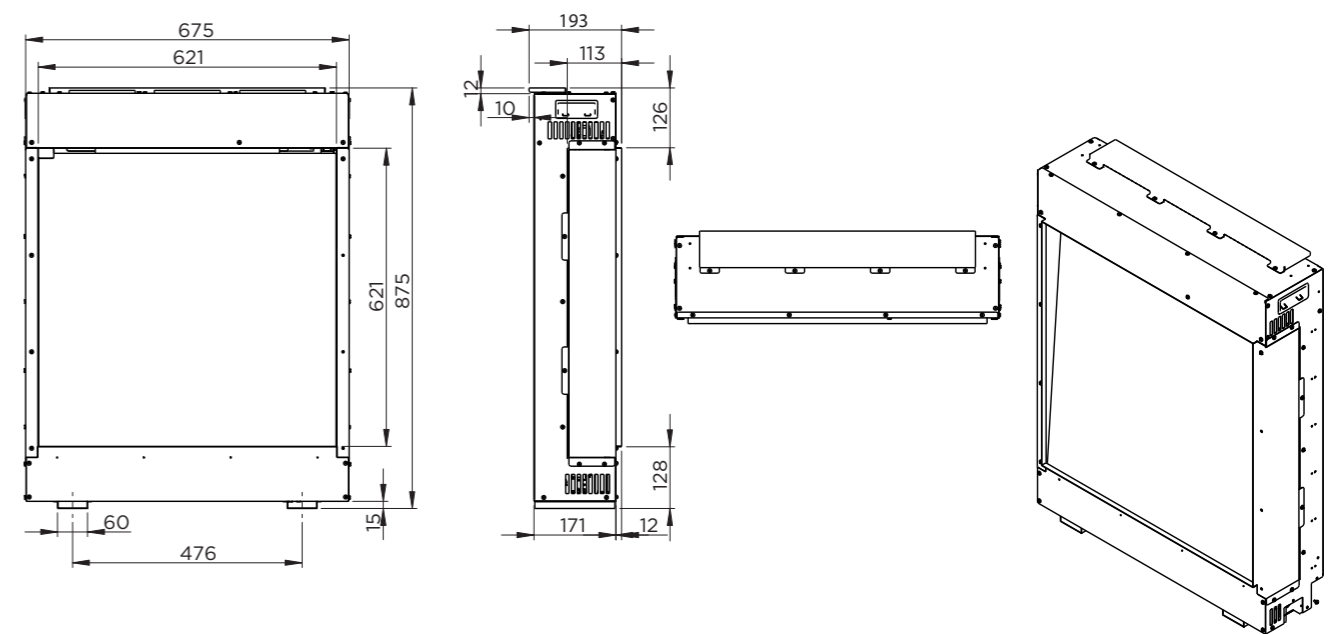
This compact and versatile electric fireplace can be styled with a traditional mantelpiece or a contemporary flat black or stainless-steel trim.

Features:

- Realistic flame effect: Choice of 3 flame colours
- 5 flame speeds
- Active glowing ember fuel bed: 5 brightness settings
- 13 different colours
- Setting that cycles through all options above
- Hand painted logs as standard. No logs are repeated in a set, genuinely realistic look
- The fuel bed also includes embers and bark
- LED technology means low running costs and long life usage
- Anti-reflective window on front and sides as standard
- Accurate room temperature control
- Remote thermostat in hand remote
- 1-2kW adaptive control (on board energy manager)
- Daily and 7-day Programmable Heating

Each model in the Polaris range can easily be configured for single sided, two sided or three-sided applications.

You can create a fire look, which is completely unique. Whether that's toning down the flames to showing red-hot embers on the fire bed, or maybe you want a strong, fast flame (there are 5 flame speeds) to warm a room on a cold evening - it's totally up to you.



Polaris 620E - Overall Unit Dimensions (mm)

Polaris 1000E in Two Sided Configuration



Polaris 1000E in Three Sided Configuration



Polaris 1000E

The Polaris electric range offers a stunning ultra-realistic flame, which has been achieved by carefully modelling the fuel bed from actual logs sourced from woodlands.

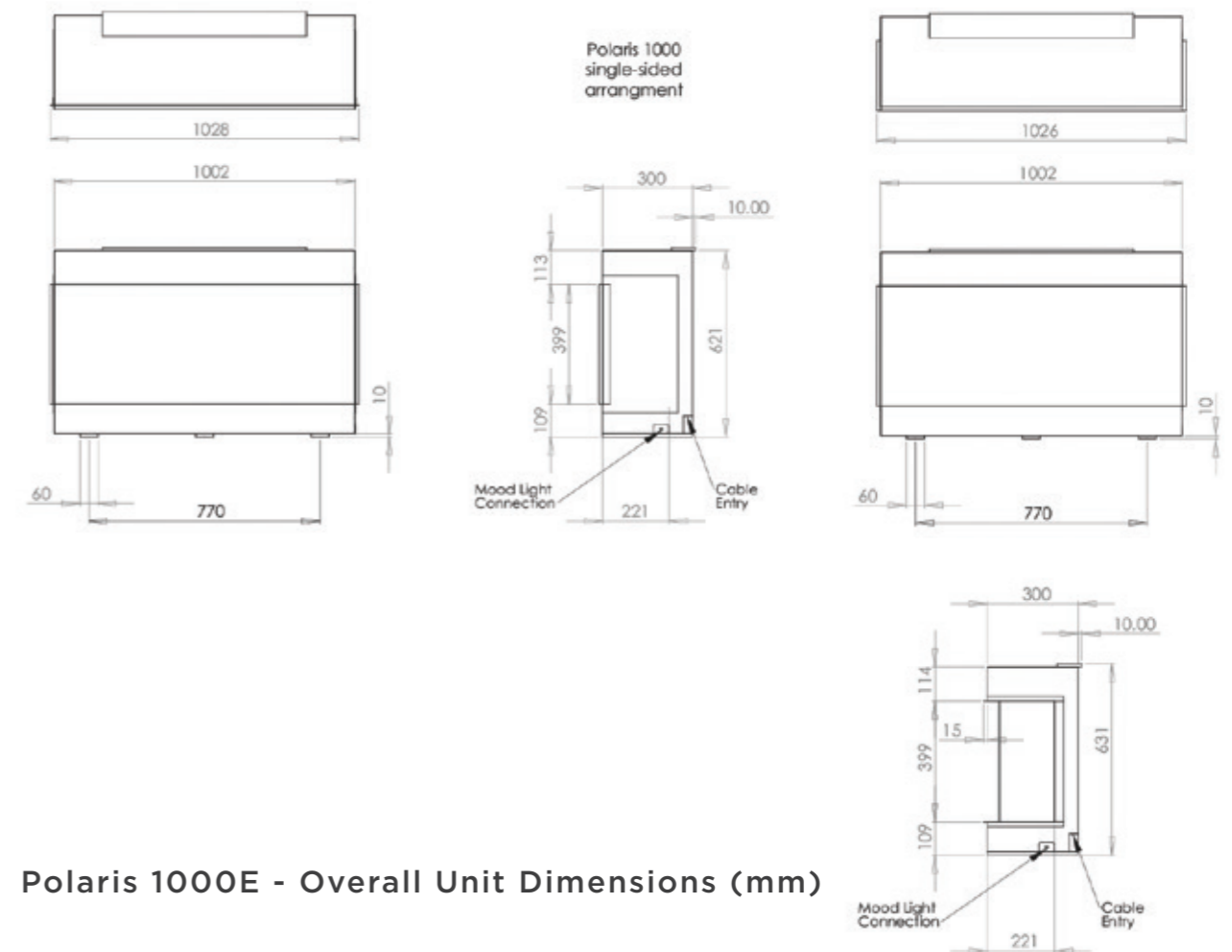
The 1000E is the middle-sized Polaris fire that like the others can be installed in many ways; one sided, two sided or three sided.

Features:

- Realistic flame effect: Choice of 3 flame colours
- 5 flame speeds
- Active glowing ember fuel bed: 5 brightness settings
- 13 different colours
- Setting that cycles through all options above
- Hand painted logs as standard. No logs are repeated in a set, genuinely realistic look
- The fuel bed also includes embers and bark
- LED technology means low running costs and long life usage
- Anti-reflective window on front and sides as standard
- Accurate room temperature control
- Remote thermostat in hand remote
- 1-2kW adaptive control (on board energy manager)
- Daily and 7-day Programmable Heating

This compact and versatile electric fireplace can be styled with flat black or stainless-steel trims

You can create a fire look, which is completely unique. Whether that's toning down the flames to showing red-hot embers on the fire bed, or maybe you want a strong, fast flame (there are 5 flame speeds) to warm a room on a cold evening - it's totally up to you.



Polaris 1600E in Three Sided Configuration



Polaris 1600E in In-Built Configuration



Polaris 1600E

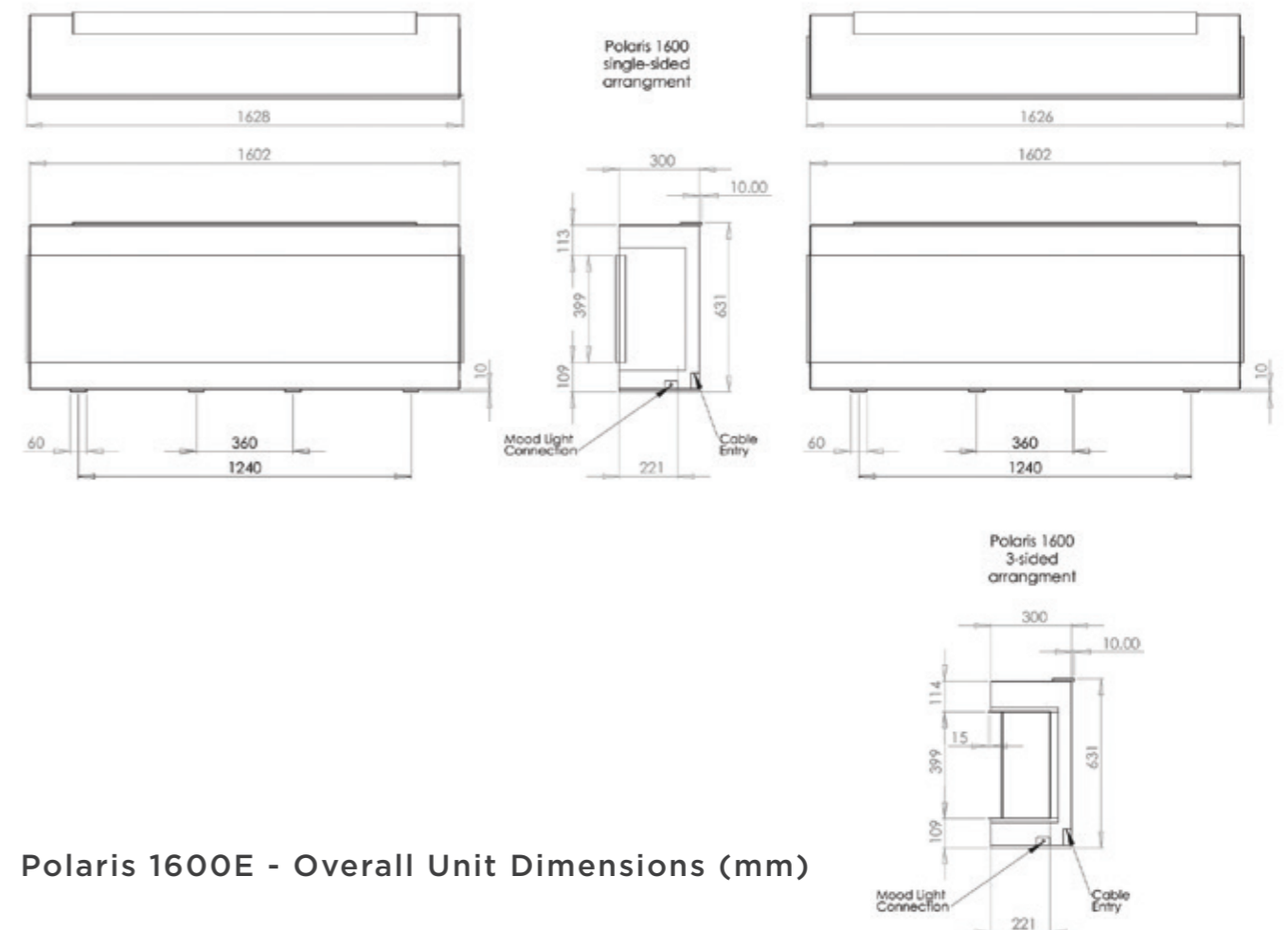
The Polaris electric range offers a stunning ultra-realistic flame, which has been achieved by carefully modelling the fuel bed from actual logs sourced from woodlands.

At 1.6 metres wide, the 1600E is ideal for large feature walls and room dividers. Imagination is the only limit to what can be achieved when installing these fires.

Features:

- Realistic flame effect: Choice of 3 flame colours
- 5 flame speeds
- Active glowing ember fuel bed: 5 brightness settings
- 13 different colours
- Setting that cycles through all options above
- Hand painted logs as standard. No logs are repeated in a set, genuinely realistic look
- The fuel bed also includes embers and bark
- LED technology means low running costs and long life usage
- Anti-reflective window on front and sides as standard
- Accurate room temperature control
- Remote thermostat in hand remote
- 1-2kW adaptive control (on board energy manager)
- Daily and 7-day Programmable Heating

You can create a fire look, which is completely unique. Whether that's toning down the flames to showing red-hot embers on the fire bed, or maybe you want a strong, fast flame (there are 5 flame speeds) to warm a room on a cold evening - it's totally up to you.





GBL 44 In-Built Electric Fire with Linear Black Granite Mantel and Hearth



GE-44 Linear In Built

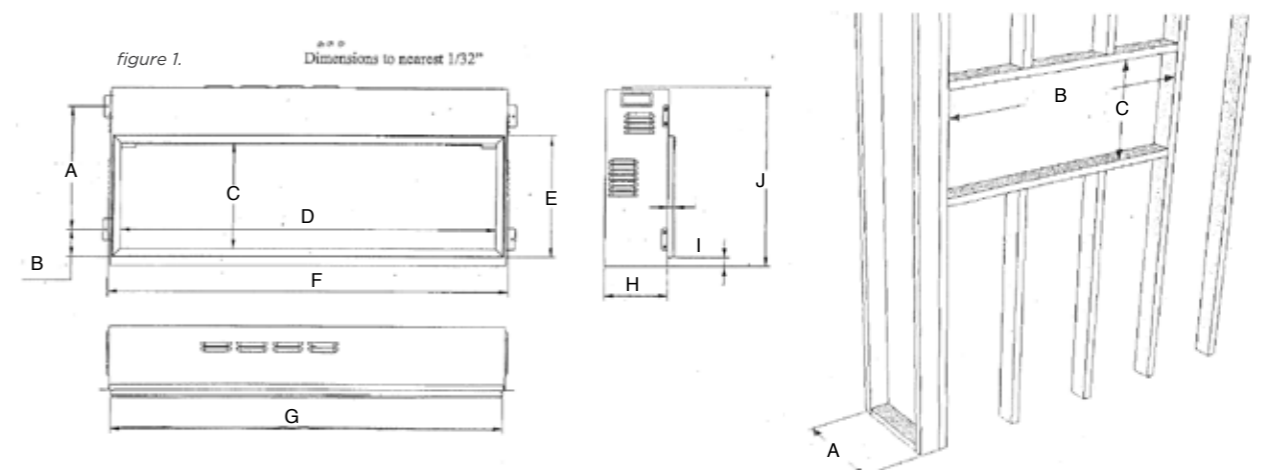
This hot fireplace feels cool to touch, yet puts out heat when you want it. Flushed with the wall and an easy installation.

Features:

- Clean “flush finish” installation
- Super quiet operation
- Adds warmth, comfort to any room
- Turn heat off & keep flame for ambiance
- High efficiency Phillips branded LED lighting
- 4 brightness/colour options - from crystal clear intense amber flame to a cool blue relaxing flame
- 1500/750 watt heater at 5000 BTU's
- Operating costs as low as a few cents per day with flame & backlighting, & marginally more when heater is on.
- Full feature remote control thermostat with sleep timer.
- Tested and approved for safety.

In-Built Electric - Overall Unit Dimensions (mm)

	A	B	C	D	E	F	G	H	I	J
FIRE	350	75	290	1060	335	1130	910	175	25	500
FRAME	180	1125	460	-	-	-	-	-	-	-



Dimensions shown above are in millimetres. Reference dimensions only.
We recommend measuring individual units at installation. Assume the use of 10mm plaster.
NOTE: Refer to installation manual for detailed specifications on installing this product.



GE Wall Mounted Range

Choose up to 13 backlight colours

Features:

- Ambient back lighting comes standard on all models except the GER-36
- High efficiency LED on fire and back lighting. Uses only 15 watts.
- 1500/750 watt heater-up to 5,000 BTU's/hr
- Ultra-quiet. Uses silent force technology
- Full feature remote control
- Comes in 4 widths, 50, 58, 70 & 94
- Costs less than a penny per hour to operate and 9-18 cents per hour with the heater on.



Gallery Linear Fireplace Specifications

MODEL	HEIGHT	WIDTH	DEPTH	VIEWING SIZE	WATTAGE
GE-94	26.4"	93.7"	6"	59.1"w x 12"h	1500
GE-70	26.4"	70"	6"	51.2"w x 12"h	1500
GE-58	26.4"	58.3"	6"	39.4"w x 12"h	1500
GE-50	26.4"	50.4"	6"	31.5"w x 12"h	1500

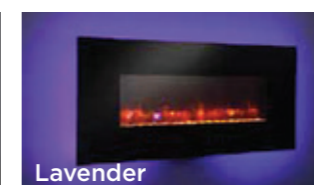
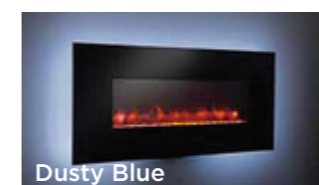
Model GE-94

Model GE-70

Model GE-58

Model GE-50

4 backlight colors available



NOTES

A large white rectangular area with a thin orange border, containing ten horizontal lines for writing notes.



Reliability | Innovation | Service | Quality

For the entire Jetmaster range, visit your nearest showroom
jetmaster.com.au | 1300 538 627

NSW - 55 Marrickville Road Marrickville 2204

QLD - 13 French Ave Brendale 4500

S.A - 40 Maple Ave Forestville 5035

W.A - 277 Lord Street Perth 6000

VIC - www.jetmaster.com.au