

ETHIOS

WOODFIRES



2017 Woodfire Range
Australia and New Zealand





Designed and
manufactured
in New Zealand,
Ethos Woodfires
represent the
evolution of
the wood fire
as a **clean and
efficient** heating
solution.

draft free operation



Ethos woodfires are unique in that they don't draw their combustion air from the room being heated, or even from elsewhere in the dwelling.

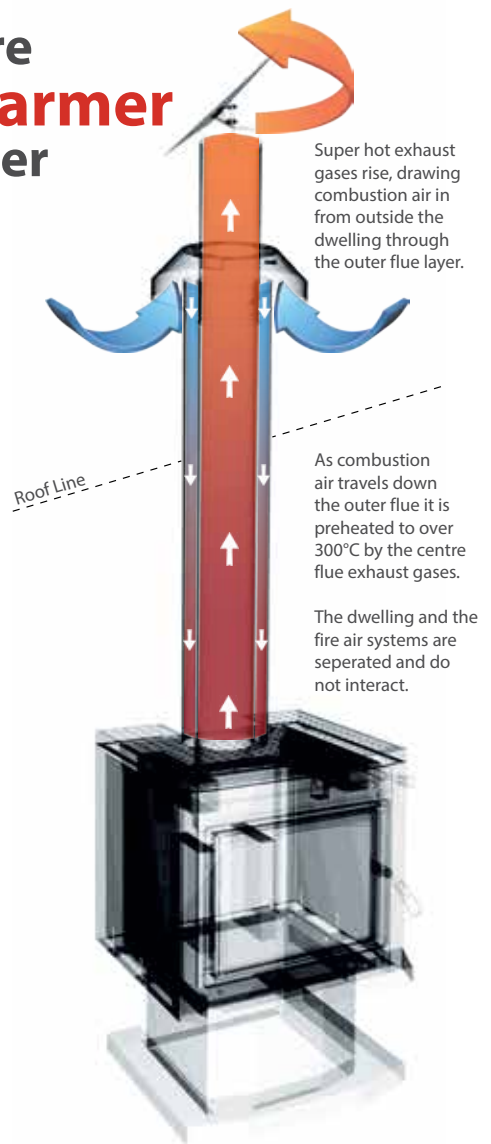
Instead the EconAir Induction flue system is bi-directional, and draws all its combustion air from outside via the flue.

The patented Ethos system has numerous advantages:

✓ Eliminates cold drafts in the home

- ✓ No need to vent the room in modern airtight design buildings
- ✓ Incoming air is pre-heated by the exhaust gases to over 300°C creating greater combustion, higher efficiency and reduced emissions
- ✓ No backpressure and quieter operation in windy areas
- ✓ The fire burns brightly, for greater ambience

how one fire can be warmer than another



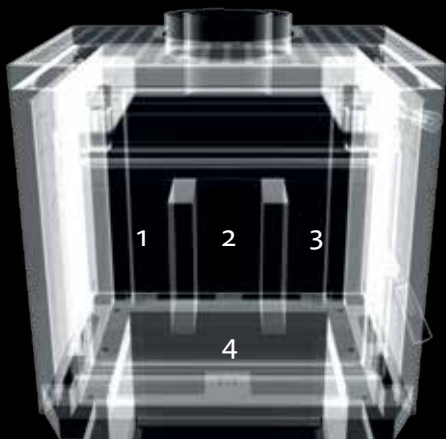
Combustion air is drawn from outside the home, down the outer section of the flue system.

The incoming air is pre-heated by the hot exhaust gases travelling up the centre of the flue system to over 300°C before entering the firebox.

Using combustion air from outside keeps your warm air inside the home and eliminates the uncomfortable drafts often caused by conventional flue logburners.

The EconAir bi-directional flue system will not interfere with other ventilation devices in your home, like extractor fans, range hoods, and home ventilation systems, reducing smoke blow back into the room, and wind noise.

**perfect for modern
airtight building
designs**



The combination of highly pre-heated combustion air and the specially designed Ethos firebox with four independent burn areas acts like a supercharger for burning wood.

Nearly everything burns, from the solids and volatiles to the smoke itself. This is key to why our fires are so efficient at generating heat, and why their emissions are so low.

We regularly receive feedback from new owners amazed that they are getting so much heat from so few trips to the wood stack.

Ultra high temperature combustion air is force fed into three independent burn chambers at the rear of the firebox as well as one at the front. Combustion extreme.

a smarter high output firebox

Other fires billow smoke from their chimneys, but with an efficient Ethos your neighbours will be hard-pressed to tell your fire is going.

Better for your fuel costs, better for the environment, and far less residual ash to clean in the morning.

The fire also burns brightly, so you are rewarded with a more entertaining visual experience while you enjoy the heat.

What's not to love?

big things
come in
small packages





Affordable, environmentally friendly, lower emission heat. This is our promise.

Burning correctly seasoned wood from sustainable resources, Ethos woodfires give an environmentally friendly and cost effective way to heat your space.

Lower emissions ratings means Ethos woodfires are well below the strictest emission standards across both Australia and New Zealand.

Burning wood is considered carbon-neutral because it does not increase the amount of carbon dioxide cycling through the atmosphere.

Carbon is continually cycling through all living plants and animals. Growing trees convert carbon dioxide to woody biomass, so carbons released from burning wood are actually processed naturally by growing trees and turned into more wood. It's all part of a tree's natural growth cycle.



**low emissions
and highly
efficient**

Ethos Genesis fire shown in
Pacific Gold colour Mamba Green



designed to fit your decor

Who ever said wood fires had to be black?

You can now order your Ethos fire in a bespoke colour to suit your room design at no extra cost.

Choose from around 100 custom colours from Dulux Pacific Gold and Duralloy colour palettes to give your room a unique look.

Make it compliment your room, or make a statement with your fire, the choice is yours.

For those who prefer the traditional black option, we still have that too.

And if you change your colour scheme later, no problem. Either recolour your existing panels, or order a replacement set.





genesis & aquos



Genesis Performance

Estimated Peak Output: 18 kW
Average Efficiency: 72%
Average Emissions: 0.56 g per kg
Emissions per Output: 39 mg per MJ

Aquos Performance

Estimated Peak Output: 18 kW
Average Efficiency: 66%
Average Emissions: 0.6 g per kg
Emissions per Output: 45 mg per MJ



Genesis, its where it all began for Ethos.

With the classic pedestal design and all the intelligent features of the Ethos wood fire range, the Genesis is one of the most versatile and effective wood fires on the market.

The contemporary styling and clean design elements makes the Genesis at home in both modern and classical rooms.

With over 100 colour options, you can decide whether to make your Genesis a bold statement or a subtle feature. With so many options to choose from, any environment will welcome the Genesis.

While all Ethos fires are designed to give a combination of both radiant and convection forms of heating, Genesis has been designed to be slightly more radiant, and will reward with a more traditional wood fire glow and will operate well in rooms with high ceilings.

Complimenting this, the convective properties will allow the heat to spread evenly throughout your home. The Genesis gives you the best of both radiant and convective heating styles.

A removable top grill means you can cook directly on your Genesis firebox for a true wood stove experience, and the large viewing window gives a bright and entertaining fire.

Looking for a hot water booster to save on electrical energy usage? The Aquos model variant gives all the visual and heat qualities of the standard Genesis, with the added benefit of a plumbed in hot water booster.

ETHOS
WOODFIRES
**15 YEAR
FIREBOX
WARRANTY**

ETHOS
WOODFIRES
**CHOOSE
YOUR BESPOKE
COLOUR FOR THE
SAME PRICE**

ETHOS
WOODFIRES
**PROUDLY
DESIGNED AND
MANUFACTURED
IN NEW ZEALAND**

Tested and compliant to the following standards:
AS/NZS 4012:1999 Power output and heating efficiency
AS/NZS 4013:1999 Flue gas emissions
AS/NZS 2918:2001 Safety

Ethos Genesis fire shown in
Pacific Gold colour Flame Red

phoenix



Phoenix Performance

Estimated Peak Output:	18 kW
Average Efficiency:	72%
Average Emissions:	0.56 g per kg
Emissions per Output:	39 mg per MJ



A modern version of the classic stove design, Phoenix offers a fresh cubic concept with sturdy visual cues from its outward tapering legs.

To heat your whole home, not just your living room, having greater convective properties is a real advantage. Moving the heated air means it can heat a larger area, and travel down hallways, around corners, and gets to those hard to reach cool areas that radiant heat alone just can't heat up.

The Phoenix is designed to maximise its convection output by way of its clever inner and outer layer design. Air is drawn up between the firebox and the outer shell, and convected out from the top section into the room. It literally pumps the heat out.

A highly convective wood fire is ideal if you are installing a heat transfer kit, to take the heat from your living room and pass it to other rooms in the house. Moving warm air is critical to the way heat transfer kits operate, and allows you to power your home heating solution with ease.

Of course those in close range will also enjoy the lovely radiant properties from the Phoenix's large glass window front, and an entertaining view of the bright burning high efficiency fire.

With over 100 colour options the Phoenix brings a touch of class to any room.

ETHOS
WOODFIRES
**15 YEAR
FIREBOX
WARRANTY**

ETHOS
WOODFIRES
**CHOOSE
YOUR BESPOKE
COLOUR FOR THE
SAME PRICE**

ETHOS
WOODFIRES
**PROUDLY
DESIGNED AND
MANUFACTURED
IN NEW ZEALAND**

Tested and compliant to the following standards:
AS/NZS 4012:1999 Power output and heating efficiency
AS/NZS 4013:1999 Flue gas emissions
AS/NZS 2918:2001 Safety

Ethos Phoenix fire shown in
Duralloy colour Matt Wedgewood

ares



Ares Performance

Estimated Peak Output:	14 kW
Average Efficiency:	67%
Average Emissions:	0.3 g per kg
Emissions per Output:	22 mg per MJ



Nothing quite beats the clean lines and uncluttered look of an insert fire. No flue to look at, just an appliance on the wall surface. Clean, elegant and simple.

The Ares has all the intelligent combustion features, high output and low fuel consumption of the freestanding models, with the benefit of discreet wall mounting.

Perfect if you have an existing open fire or log burner, the compact firebox design means there will be no trouble fitting into even the smallest open fireplaces, but don't let the compact firebox size fool you. It can pump out a generous 14kW of heat, making it comparable to much larger rivals.

Add the extremely low emissions and high efficiency, and you'll realise that you're generating heat where other fires are just making smoke. Better for the environment, better for your wallet, and better for your home.

If you are building new, or renovating a home without an existing fireplace, just add in the optional Zero Clearance Kit to build your insert fire into timber framing and floors. The Ares gives maximum flexibility with minimum fuss, for the custom look you want.

Couple all this with the large entertaining viewing window, and the ability to choose from over 100 custom colours for the front fascia and you have everything you need to stylishly heat your room.



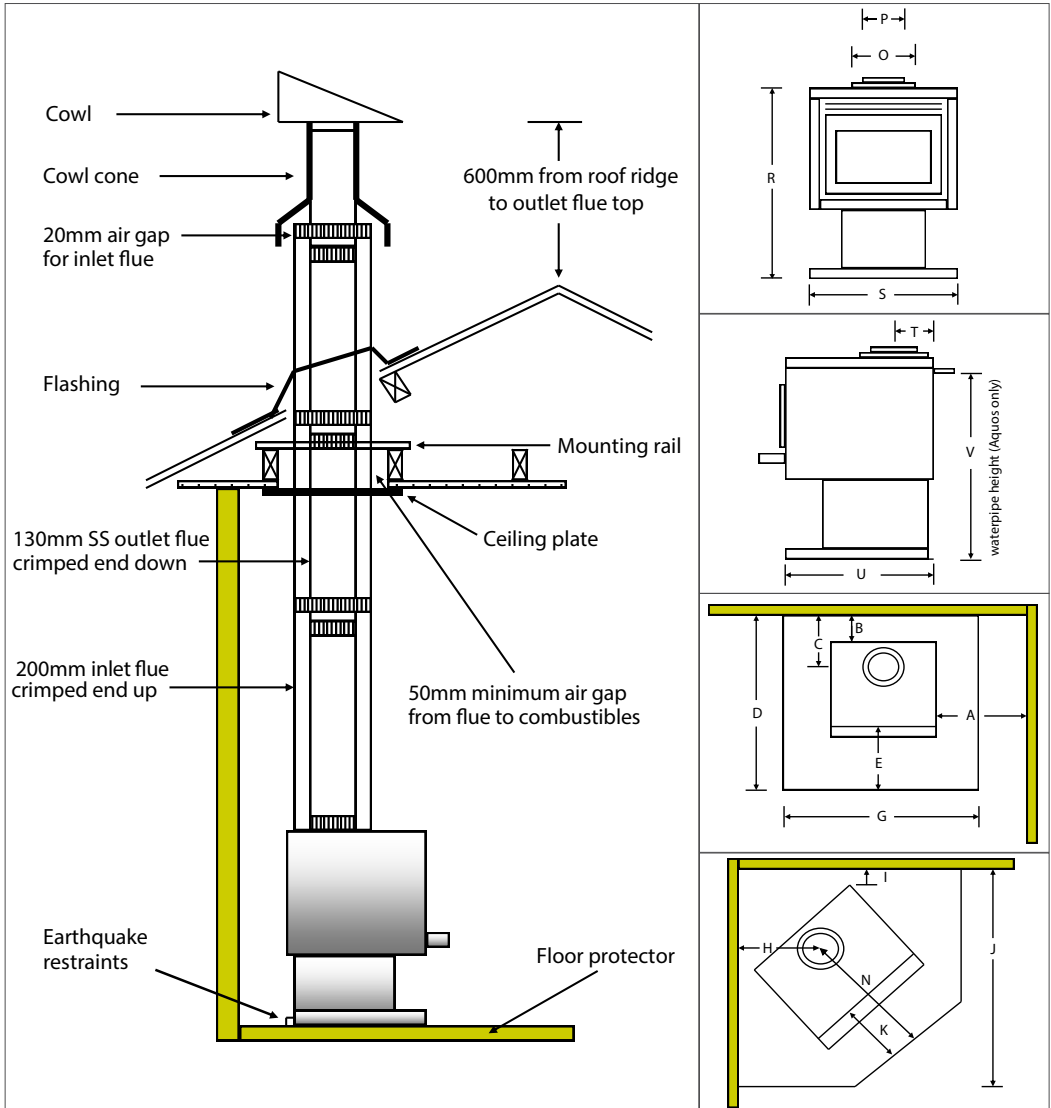
Tested and compliant to the following standards:
AS/NZS 4012:1999 Power output and heating efficiency
AS/NZS 4013:1999 Flue gas emissions
AS/NZS 2918:2001 Safety

Ethos Ares fire shown in
Duralloy colour Matt Gravel

dimensions and installation

freestanding fires

IMPORTANT: It is the responsibility of the installer to ensure that the installation of this appliance complies with AS/NZS 2918:2001. The below installation diagrams are provided as a guide only.



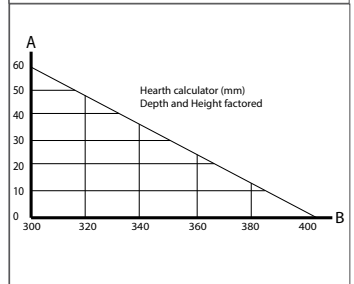
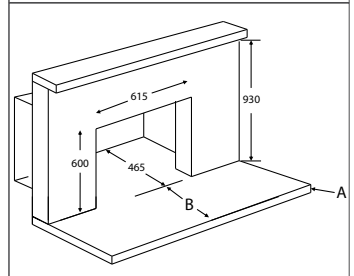
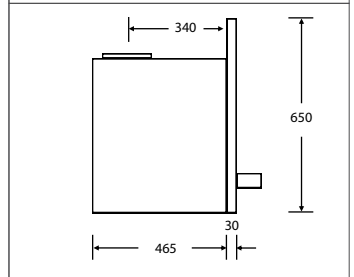
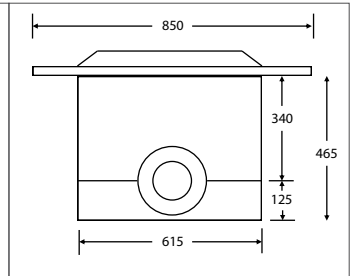
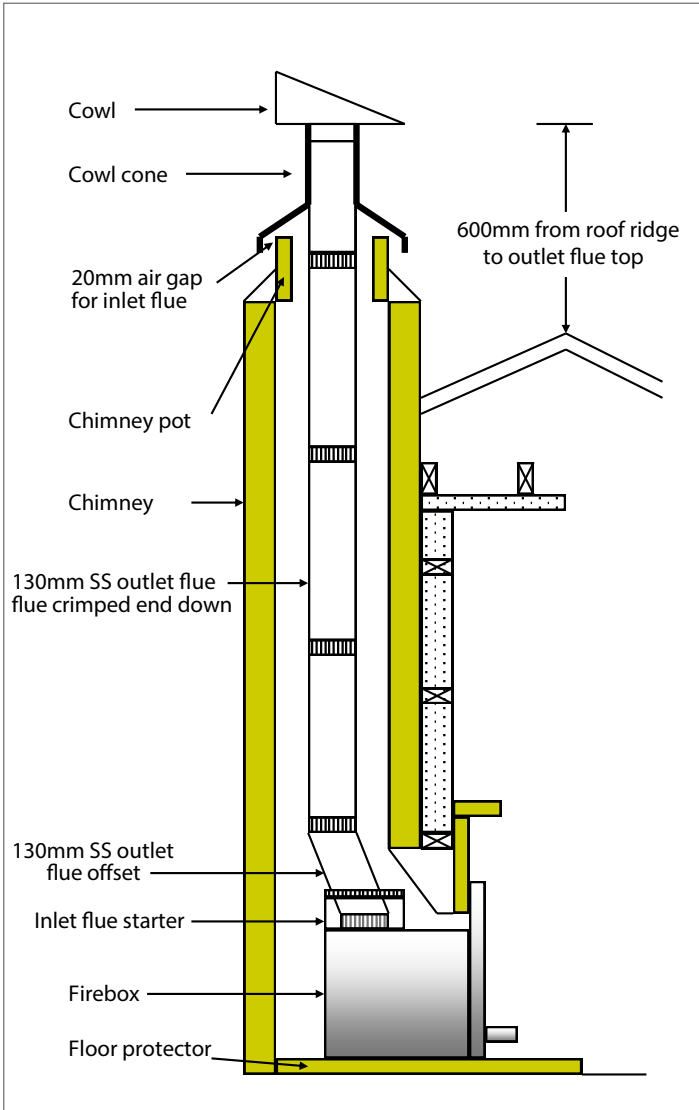
all clearances mm	A	B	C	D	E	G	H	I	J	K	N
No flue shield	310	170	300	955	300	800	320	38	1000	300	650
With flue shield	310	85	210	870	300	800	301	19	1000	300	650

all dims mm	O	P	R	S	T	U	V
Genesis	200	130	740	540	130	485	-
Aquos	200	130	740	540	130	485	670
Phoenix	200	130	670	540	130	485	-

on specifications

insert fires

IMPORTANT: It is the responsibility of the installer to ensure that the installation of this appliance complies with AS/NZS 2918:2001. The below installation diagrams are provided as a guide only.



zero clearance installations

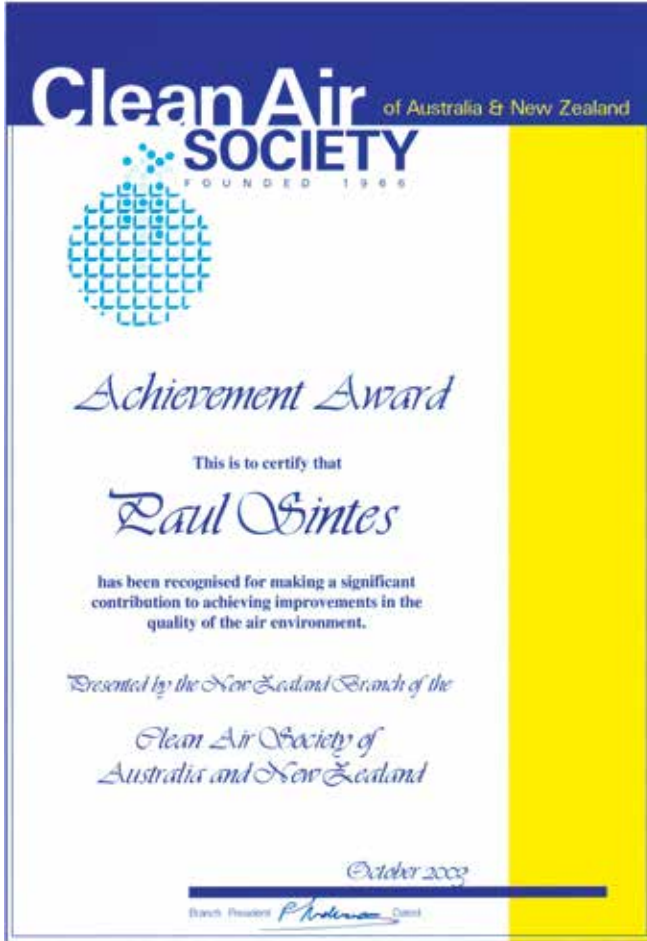
For installation of Zero Clearance Kit into timber framed cavities, please download the detailed installation instructions from the following Ethos websites:

Australia: www.ethosfires.com.au

New Zealand: www.ethosfires.co.nz

Or contact your local Ethos Woodfire dealer for more information.

awards



Ethos Woodfires was founded in 2000 to assist reduce the air pollution problems in Christchurch, New Zealand; necessary as it appeared at the time the only option for the local council to reduce air emissions was to ban woodfires completely.

Christchurch experiences subzero winter temperatures, and the opposition to banning woodfires was strong, with fears that many would struggle to endure winter without them.

Ethos Woodfire designer Paul Sintes decided he could design and build a cleaner wood fire than was then available, and he did exactly this, releasing the Genesis in 2001.

Following the work he did in this region, in 2003 Paul Sintes received the shown Achievement Award from the Clean Air Society of Australia and New Zealand for the significant contribution to the improvement of air quality that Ethos fires made to the Christchurch area over this time.

No other fire or designer in Australia or New Zealand has received this honour, it is an award we at Ethos Woodfires are very proud of.

Paul Sintes continues to design our Ethos models today.

ETHIOS

WOODFIRES

ETHOS
WOODFIRES
15 YEAR
FIREBOX
WARRANTY

ETHOS
WOODFIRES
CHOOSE
YOUR BESPOKE
COLOUR FOR THE
SAME PRICE

ETHOS
WOODFIRES
PROUDLY
DESIGNED AND
MANUFACTURED
IN NEW ZEALAND

Australia

Capisco Aust Pty Ltd
2/281 Pacific Highway
North Sydney, NSW 2060
Phone (02) 8310 7304
www.capisco.com.au

New Zealand

Capisco Ltd
PO Box 938, Whangaparaoa
Auckland 0930
Phone (09) 947 5166
www.capisco.co.nz

Your local stockist



ethosfires.com.au
ethosfires.co.nz